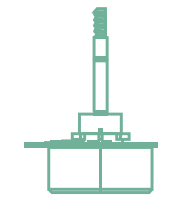
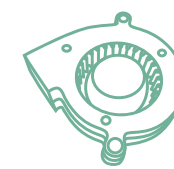
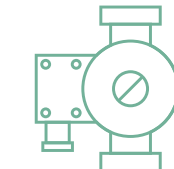
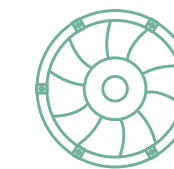
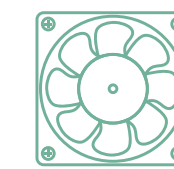


Energy Storage System

儲能設備

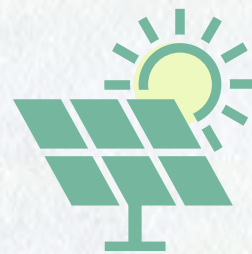


info@x-fan.com

TEL : +886-7-2692559

FAX : +886-7-2692590

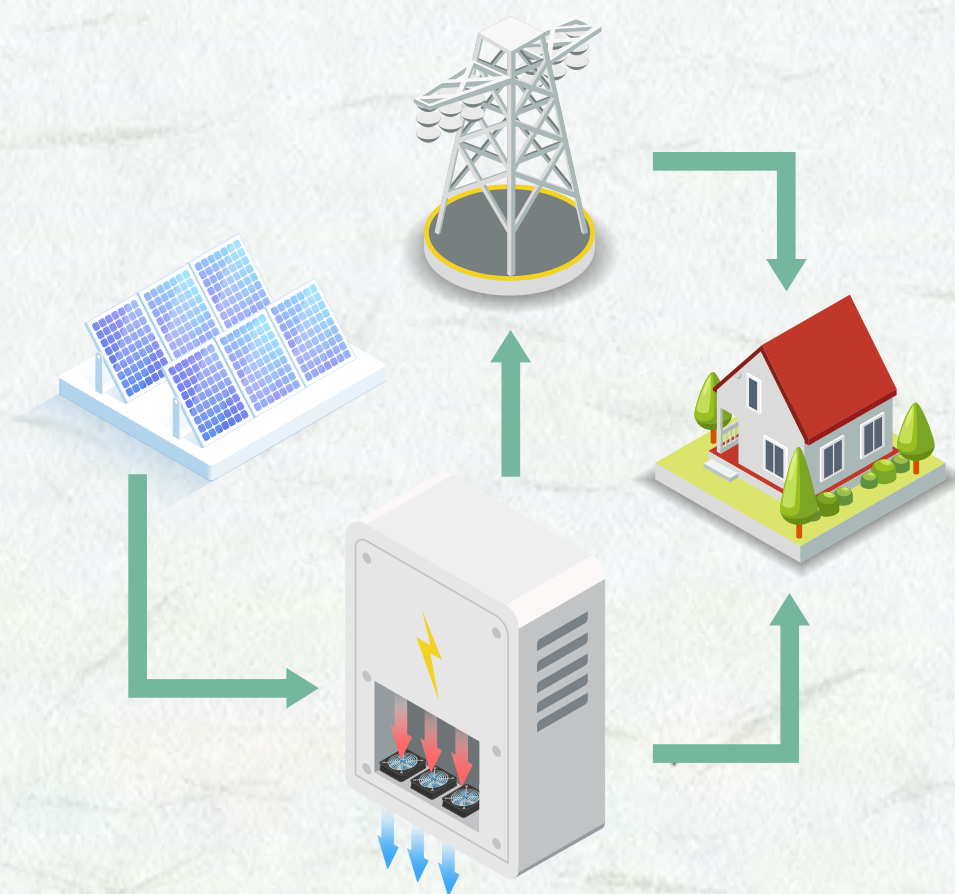




Energy Storage System

儲能設備

※ Please do not hesitate to let us know if any customization request.
本公司亦提供客製化服務，若有其他需求歡迎聯絡我們。



BMS

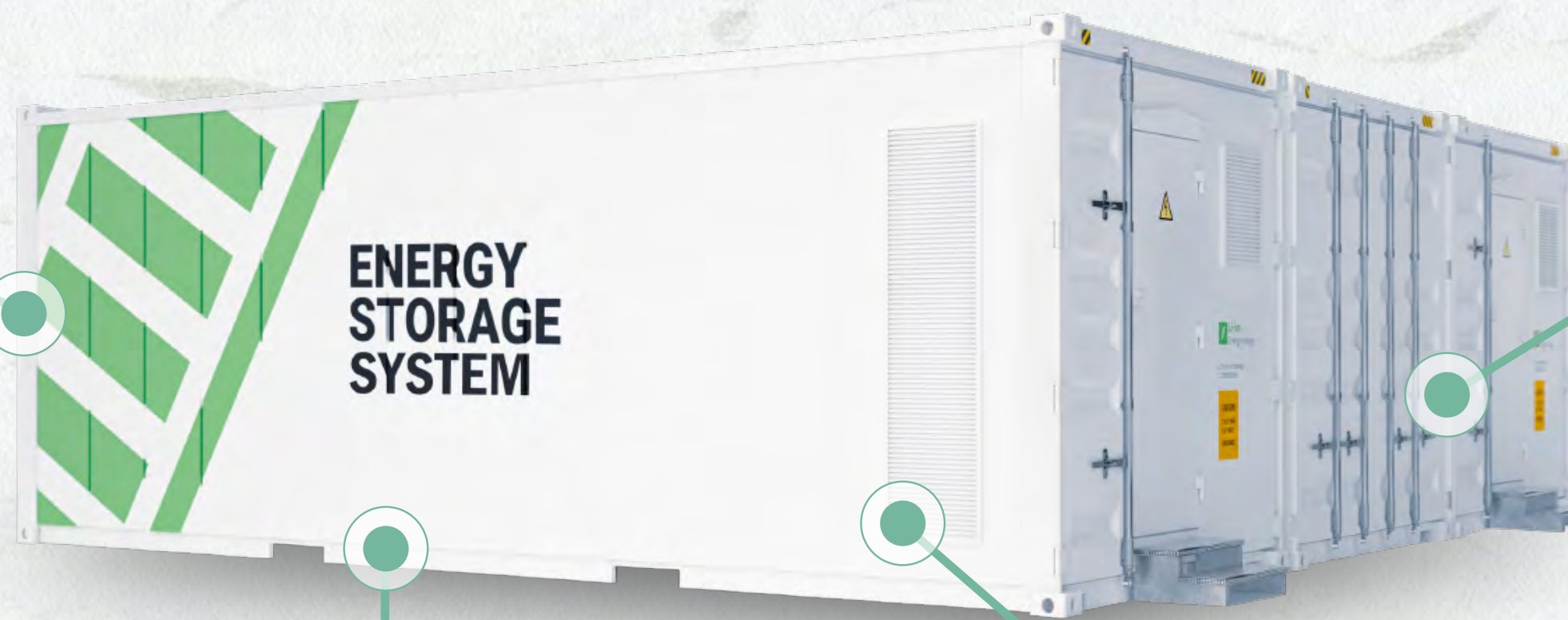
電池管理系統

DC Axial Fan : 40x20/80x38/92x38/120x25/120x38 mm



Inverter 變頻器(逆變器)

DC Axial Fan : 40x28/80x38/
92x25/92x38/120x25/120x38 mm



PCS 電力轉換系統

DC Axial Fan : 40x20/60x25/70x25/80x38/92x38/120x25/120x38 mm



EMS 電能管理系統

DC Axial Fan : 40x10/60x25/70x25/80x25/120x25/120x38 mm



Contents 目錄

✿ Axial Fan

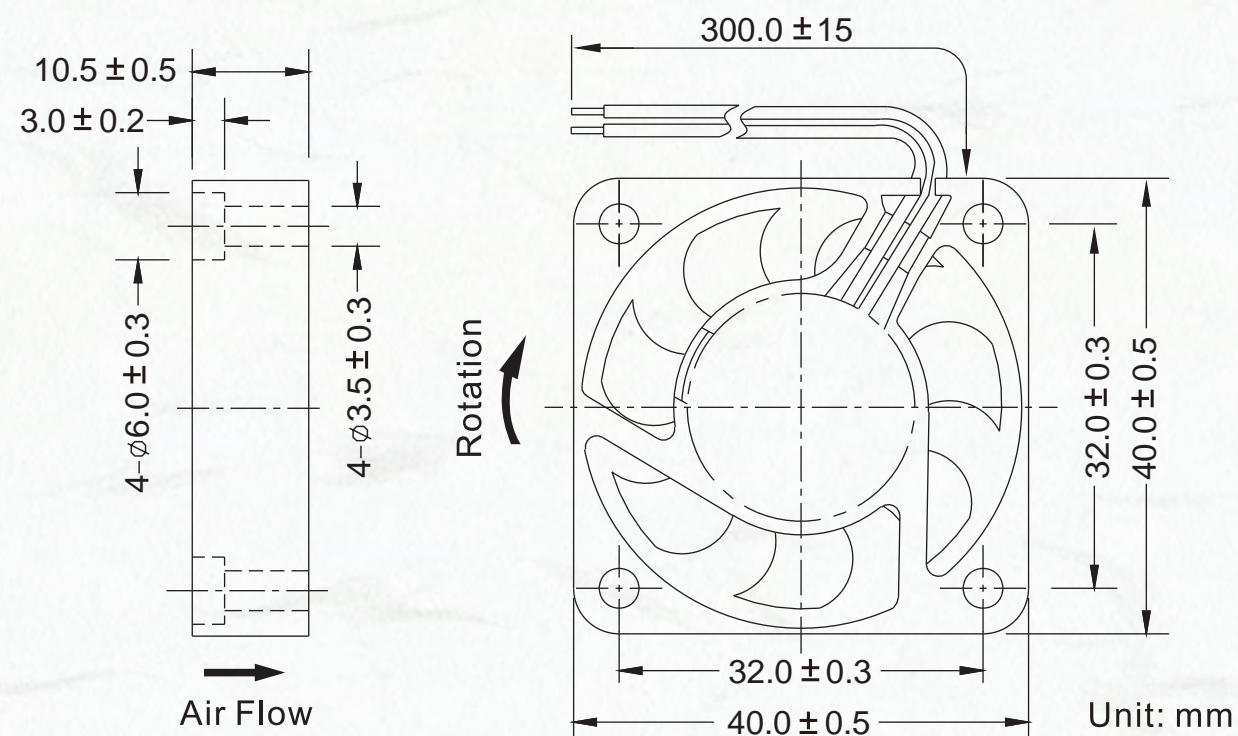


04	DC_4010	08	DC_7025	11	DC_8038(V)	14	DC_1225
05	DC_4020	09	DC_8025	12	DC_9025	15	DC_1238
06	DC_4028	10	DC_8038	13	DC_9238	16	DC_1238(B4)
07	DC_6025						



40 x 40 x 10 mm

Dimensions Drawing



Main Application : Energy Storage System

主要應用：儲能設備



Energy Saving



Waterproof and Dustproof

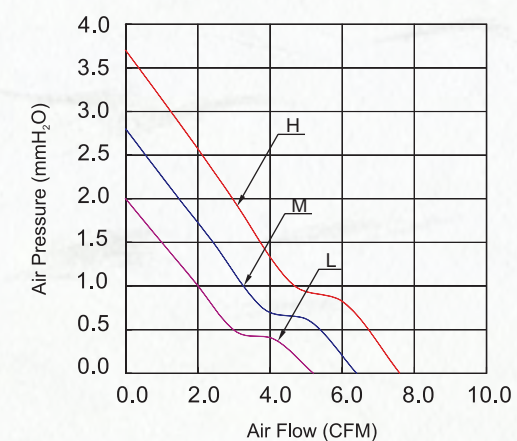


High Speed

General Specification

- Frame and Impeller : Thermal Plastic , UL 94V-0
- Lead Wires : UL Type
(+) : Red (-) : Black
- Operation Temperature : -10°C~70°C
35%~85%RH
- Storage Temperature : -40°C~80°C
35%~85%RH
- UL US CE

Performance Curves

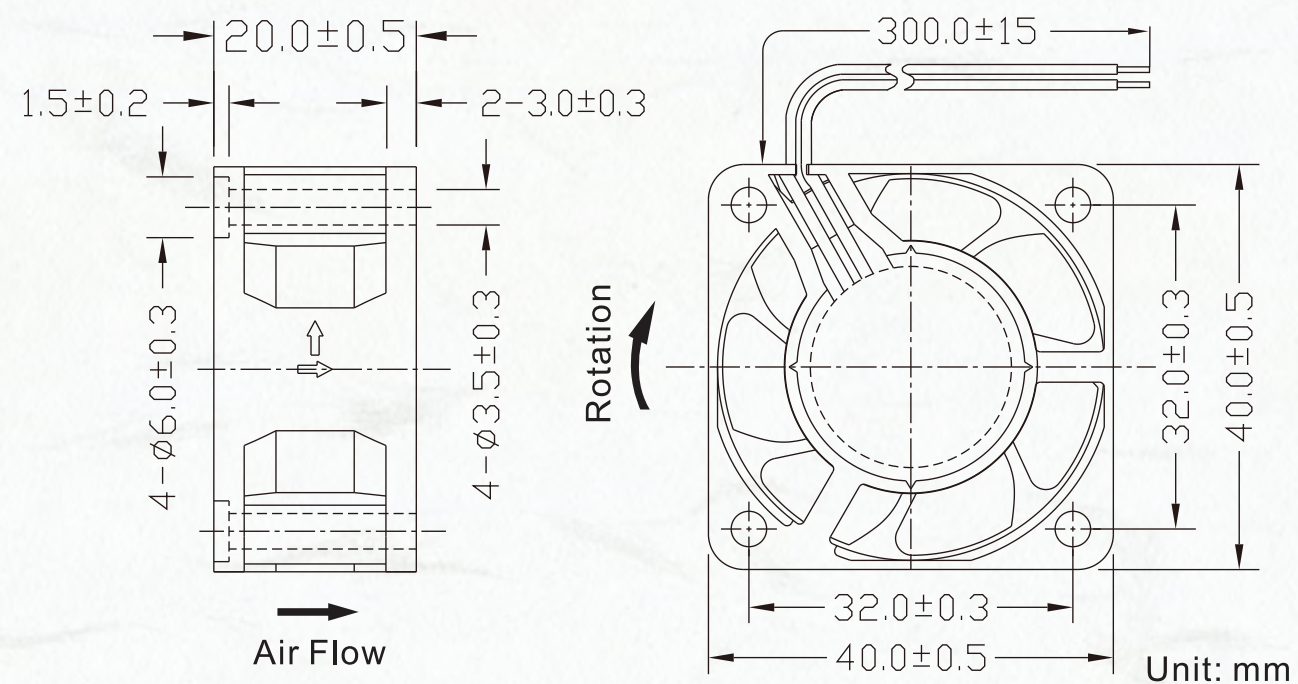


Listed Model	Bearing System	Rated Voltage	Operation Voltage	Rated Current	Rated Speed	Air Flow	Air Pressure	Noise Level	Available Features (Optional)				Weight	
		VDC	VDC	A	RPM	CFM	mmH ₂ O	dBA	Tachometer Output	Rotation Detector	Thermal Control	Pulse Width Modulation	g	
RDH4010S5	Sleeve	5	3.5~5.75	0.20	7,000	7.6	3.7	35	•	•			16	
RDM4010S5			3.5~5.75	0.16	6,000	6.4	2.8	31	•	•				
RDL4010S5			3.5~5.75	0.13	5,000	5.2	2.0	27	•	•				
RDH4010B5			Ball	3.5~5.75	0.20	7,000	7.6	3.7	35	•	•			
RDM4010B5				3.5~5.75	0.16	6,000	6.4	2.8	31	•	•			
RDL4010B5				3.5~5.75	0.13	5,000	5.2	2.0	27	•	•			
RDH4010S1	Sleeve	12	6.0~13.8	0.09	7,000	7.6	3.7	35	•	•				
RDM4010S1			6.0~13.8	0.07	6,000	6.4	2.8	31	•	•				
RDL4010S1			7.0~13.8	0.06	5,000	5.2	2.0	27	•	•				
RDH4010B1			Ball	6.0~13.8	0.09	7,000	7.6	3.7	35	•	•			
RDM4010B1				6.0~13.8	0.07	6,000	6.4	2.8	31	•	•			
RDL4010B1				7.0~13.8	0.06	5,000	5.2	2.0	27	•	•			
RDH4010S2	Sleeve	24	12.0~27.6	0.09	7,000	7.6	3.7	35	•	•				
RDM4010S2			12.0~27.6	0.06	6,000	6.4	2.8	31	•	•				
RDL4010S2			16.0~27.6	0.05	5,000	5.2	2.0	27	•	•				
RDH4010B2			Ball	12.0~27.6	0.09	7,000	7.6	3.7	35	•	•			
RDM4010B2				12.0~27.6	0.06	6,000	6.4	2.8	31	•	•			
RDL4010B2				16.0~27.6	0.05	5,000	5.2	2.0	27	•	•			



40 x 40 x 20 mm

Dimensions Drawing



Main Application : Energy Storage System

主要應用：儲能設備

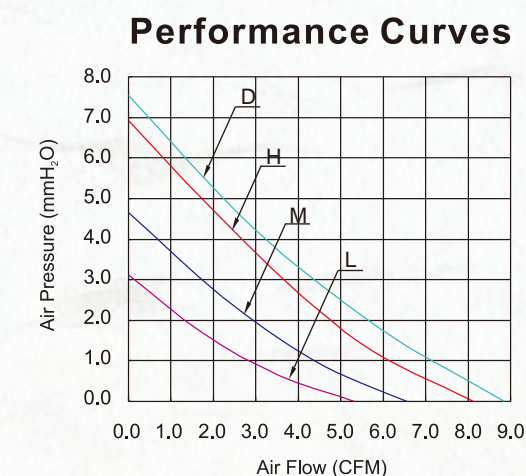


Energy Saving

Waterproof and Dustproof

High Speed

- **General Specification**
- Frame and Impeller : Thermal Plastic , UL 94V-0
- Lead Wires : UL Type
(+) : Red (-) : Black
- Operation Temperature : -10°C~70°C
35%~85%RH
- Storage Temperature : -40°C~80°C
35%~85%RH
-

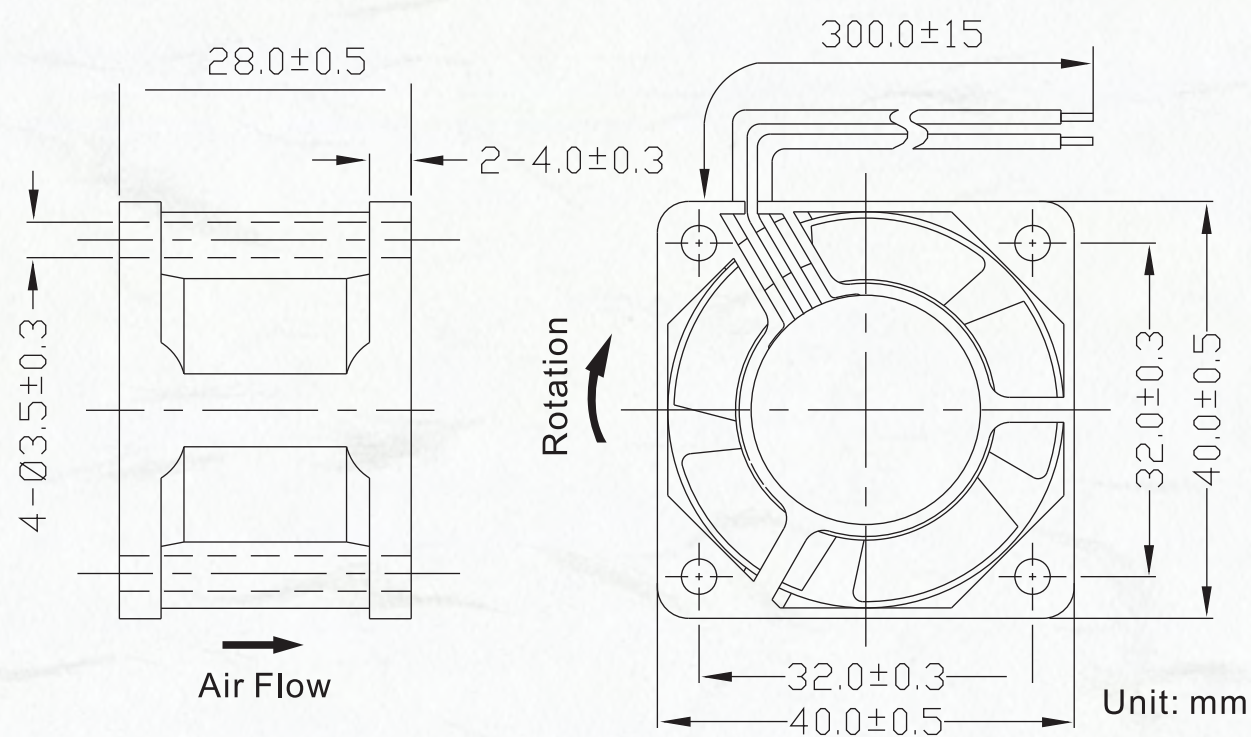


Listed Model	Bearing System	Rated Voltage	Operation Voltage	Rated Current	Rated Speed	Air Flow	Air Pressure	Noise Level	Available Features (Optional)				Weight
		VDC	VDC	A	RPM	CFM	mmH ₂ O	dBA	Tachometer Output	Rotation Detector	Thermal Control	Pulse Width Modulation	g
RDD4020S5	Sleeve	5	3.5~5.75	0.40	8,000	8.9	7.5	33	•	•			29
RDH4020S5			3.5~5.75	0.28	7,500	8.1	6.9	31	•	•			
RDM4020S5			3.5~5.75	0.25	6,200	6.6	4.7	27	•	•			
RDL4020S5			3.5~5.75	0.20	5,000	5.3	3.1	23	•	•			
RDD4020B5	Ball		3.5~5.75	0.40	8,000	8.9	7.5	33	•	•			
RDH4020B5			3.5~5.75	0.28	7,500	8.1	6.9	31	•	•			
RDM4020B5			3.5~5.75	0.25	6,200	6.6	4.7	27	•	•			
RDL4020B5			3.5~5.75	0.20	5,000	5.3	3.1	23	•	•			
RDH4020S	Sleeve	12	6.0~13.8	0.12	8,000	8.9	7.5	33	•	•			
RDH4020S			6.0~13.8	0.12	7,500	8.1	6.9	31	•	•			
RDM4020S			6.0~13.8	0.10	6,200	6.6	4.7	27	•	•			
RDL4020S			6.0~13.8	0.06	5,000	5.3	3.1	23	•	•			
RDH4020B	Ball		6.0~13.8	0.12	8,000	8.9	7.5	33	•	•			
RDH4020B			6.0~13.8	0.12	7,500	8.1	6.9	31	•	•			
RDM4020B			6.0~13.8	0.10	6,200	6.6	4.7	27	•	•			
RDL4020B			6.0~13.8	0.06	5,000	5.3	3.1	23	•	•			
RDD4020S2	Sleeve	24	12.0~27.6	0.09	8,000	8.9	7.5	33	•	•			
RDH4020S2			12.0~27.6	0.07	7,500	8.1	6.9	31	•	•			
RDM4020S2			12.0~27.6	0.06	6,200	6.6	4.7	27	•	•			
RDL4020S2			12.0~27.6	0.05	5,000	5.3	3.1	23	•	•			
RDD4020B2	Ball		12.0~27.6	0.09	8,000	8.9	7.5	33	•	•			
RDH4020B2			12.0~27.6	0.07	7,500	8.1	6.9	31	•	•			
RDM4020B2			12.0~27.6	0.06	6,200	6.6	4.7	27	•	•			
RDL4020B2			12.0~27.6	0.05	5,000	5.3	3.1	23	•	•			



40 x 40 x 28 mm

Dimensions Drawing



Main Application : Energy Storage System

主要應用：儲能設備



Energy Saving

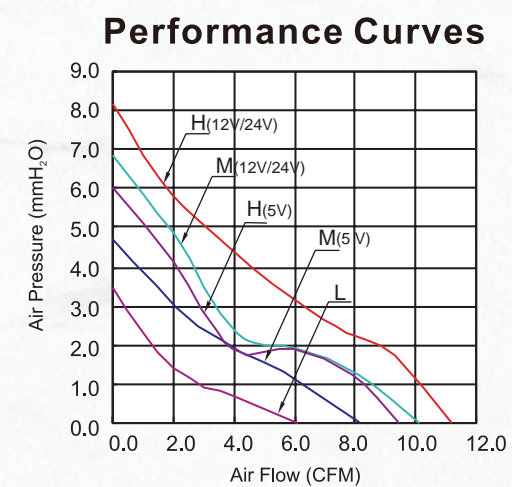


Waterproof and Dustproof



High Speed

- General Specification
- Frame and Impeller : Thermal Plastic , UL 94V-0
- Lead Wires : UL Type
(+) : Red (-) : Black
- Operation Temperature : -10°C~70°C
35%~85%RH
- Storage Temperature : -40°C~80°C
35%~85%RH
-

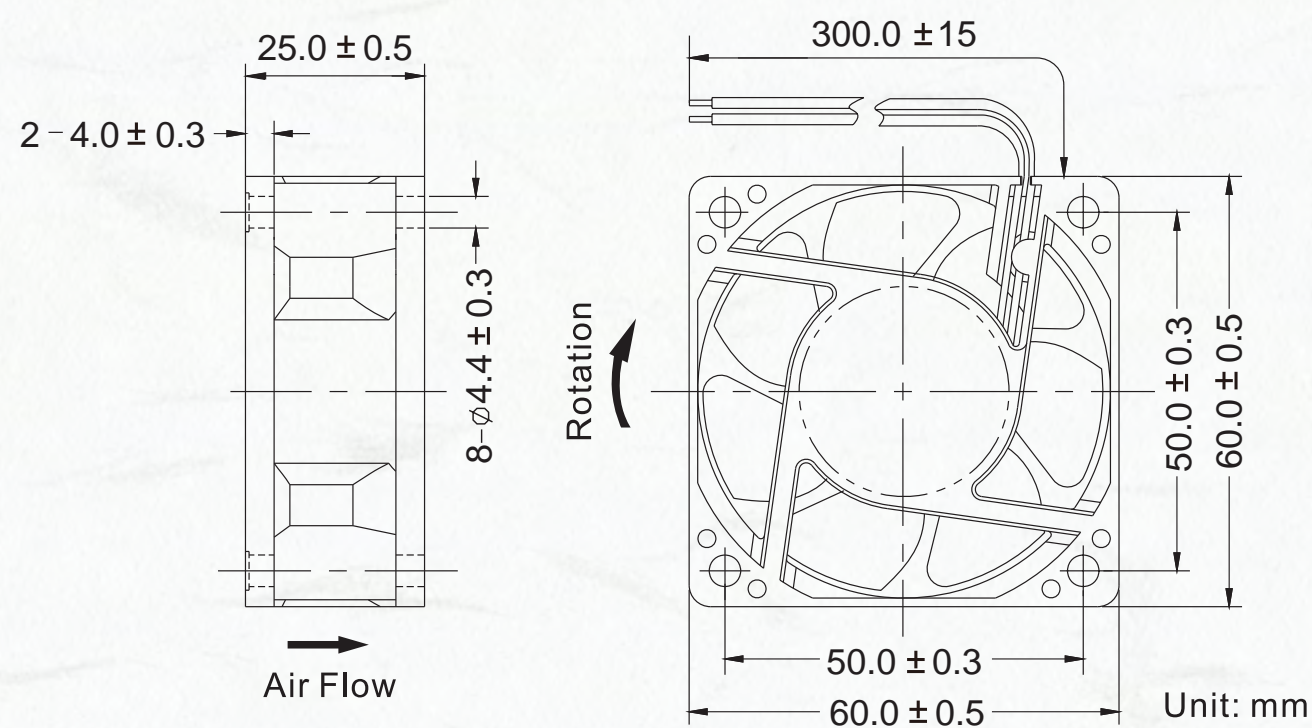


Listed Model	Bearing System	Rated Voltage	Operation Voltage	Rated Current	Rated Speed	Air Flow	Air Pressure	Noise Level	Available Features (Optional)				Weight	
		VDC	VDC	A	RPM	CFM	mmH ₂ O	dBA	Tachometer Output	Rotation Detector	Thermal Control	Pulse Width Modulation	g	
RDH4028S5	Sleeve	5	3.5~5.75	0.35	7,500	9.4	6.0	32	•	•			36	
RDM4028S5			3.5~5.75	0.30	6,500	8.2	4.7	28	•	•				
RDL4028S5			3.5~5.75	0.22	5,000	6.1	3.5	23	•	•				
RDH4028B5			Ball	3.5~5.75	0.35	7,500	9.4	6.0	32	•	•			
RDM4028B5				3.5~5.75	0.30	6,500	8.2	4.7	28	•	•			
RDL4028B5				3.5~5.75	0.22	5,000	6.1	3.5	23	•	•			
RDH4028S	Sleeve	12	6.0~13.8	0.20	8,800	11.2	8.1	36	•	•				
RDM4028S			6.0~13.8	0.18	8,000	10.1	6.8	33	•	•				
RDL4028S			6.0~13.8	0.12	5,000	6.1	3.5	23	•	•				
RDH4028B			Ball	6.0~13.8	0.20	8,800	11.2	8.1	36	•	•			
RDM4028B				6.0~13.8	0.18	8,000	10.1	6.8	33	•	•			
RDL4028B				6.0~13.8	0.12	5,000	6.1	3.5	23	•	•			
RDH4028S2	Sleeve	24	12.0~27.6	0.16	8,800	11.2	8.1	36	•	•				
RDM4028S2			12.0~27.6	0.12	8,000	10.1	6.8	33	•	•				
RDL4028S2			12.0~27.6	0.09	5,000	6.1	3.5	23	•	•				
RDH4028B2			Ball	12.0~27.6	0.16	8,800	11.2	8.1	36	•	•			
RDM4028B2				12.0~27.6	0.12	8,000	10.1	6.8	33	•	•			
RDL4028B2				12.0~27.6	0.09	5,000	6.1	3.5	23	•	•			



60 x 60 x 25 mm

Dimensions Drawing



Main Application : Energy Storage System

主要應用：儲能設備

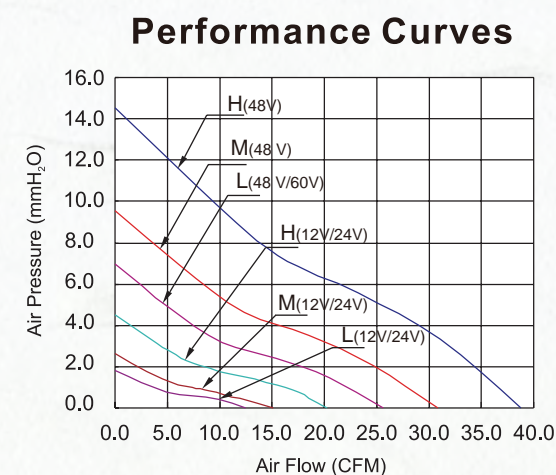


Energy Saving

Waterproof and Dustproof

High Speed

- **General Specification**
- Frame and Impeller : Thermal Plastic , UL 94V-0
- Lead Wires : UL Type
(+) : Red (-) : Black
- Operation Temperature : -10°C~70°C
35%~85%RH
- Storage Temperature : -40°C~80°C
35%~85%RH
- (12V 24V 48V)
 (60V)

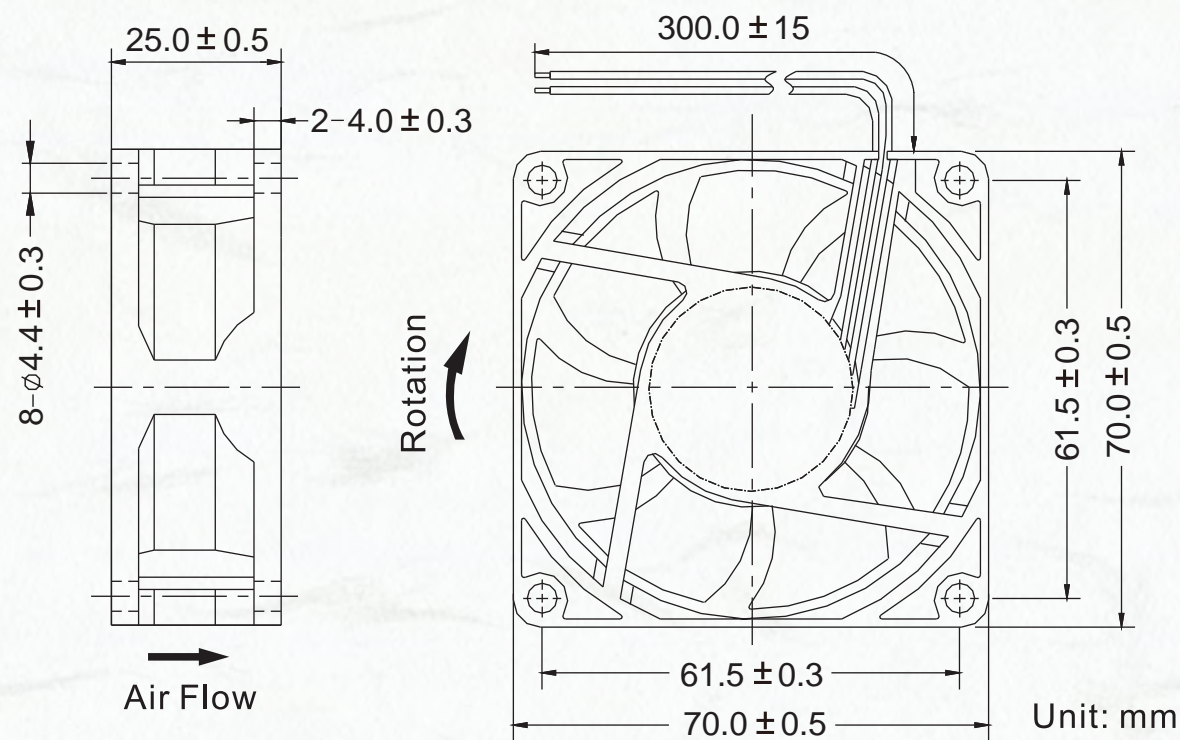


Listed Model	Bearing System	Rated Voltage	Operation Voltage	Rated Current	Rated Speed	Air Flow	Air Pressure	Noise Level	Available Features (Optional)				Weight	
		VDC	VDC	A	RPM	CFM	mmH ₂ O	dBA	Tachometer Output	Rotation Detector	Thermal Control	Pulse Width Modulation	g	
RDH6025S	Sleeve	12	6.0~13.8	0.14	4,000	20.3	4.5	29	•	•	•	•	62	
RDM6025S			6.0~13.8	0.10	3,000	15.1	2.6	24	•	•	•	•		
RDL6025S			6.0~13.8	0.07	2,500	12.5	1.8	22	•	•	•	•		
RDH6025B			Ball	6.0~13.8	0.14	4,000	20.3	4.5	29	•	•	•		•
RDM6025B				6.0~13.8	0.10	3,000	15.1	2.6	24	•	•	•		•
RDL6025B				6.0~13.8	0.07	2,500	12.5	1.8	22	•	•	•		•
RDH6025S2	Sleeve	24	12.0~27.6	0.14	4,000	20.3	4.5	29	•	•	•	•		
RDM6025S2			12.0~27.6	0.10	3,000	15.1	2.6	24	•	•	•	•		
RDL6025S2			12.0~27.6	0.09	2,500	12.5	1.8	22	•	•	•	•		
RDH6025B2			Ball	12.0~27.6	0.14	4,000	20.3	4.5	29	•	•	•		•
RDM6025B2				12.0~27.6	0.10	3,000	15.1	2.6	24	•	•	•		•
RDL6025B2				12.0~27.6	0.09	2,500	12.5	1.8	22	•	•	•		•
RDH6025S4	Sleeve	48	24.0~55.2	0.18	7,500	38.8	14.5	47	•	•	•	•		
RDM6025S4			24.0~55.2	0.12	6,000	30.9	9.6	40	•	•	•	•		
RDL6025S4			24.0~55.2	0.10	5,000	25.6	7.0	37	•	•	•	•		
RDH6025B4			Ball	24.0~55.2	0.18	7,500	38.8	14.5	47	•	•	•	•	
RDM6025B4				24.0~55.2	0.12	6,000	30.9	9.6	40	•	•	•	•	
RDL6025B4				24.0~55.2	0.10	5,000	25.6	7.0	37	•	•	•	•	
RDL6025B6	Ball	60	36.0~72.0	0.20	5,000	25.6	7.0	37	•	•	•	•		



70 x 70 x 25 mm

Dimensions Drawing



Main Application : Energy Storage System

主要應用：儲能設備



Energy Saving

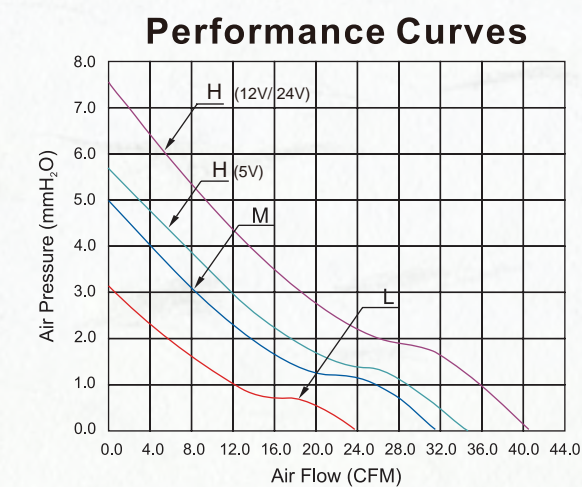


Waterproof and Dustproof



High Speed

- **General Specification**
- Frame and Impeller : Thermal Plastic , UL 94V-0
- Lead Wires : UL Type
(+) : Red (-) : Black
- Operation Temperature : -10°C~70°C
35%~85%RH
- Storage Temperature : -40°C~80°C
35%~85%RH
-

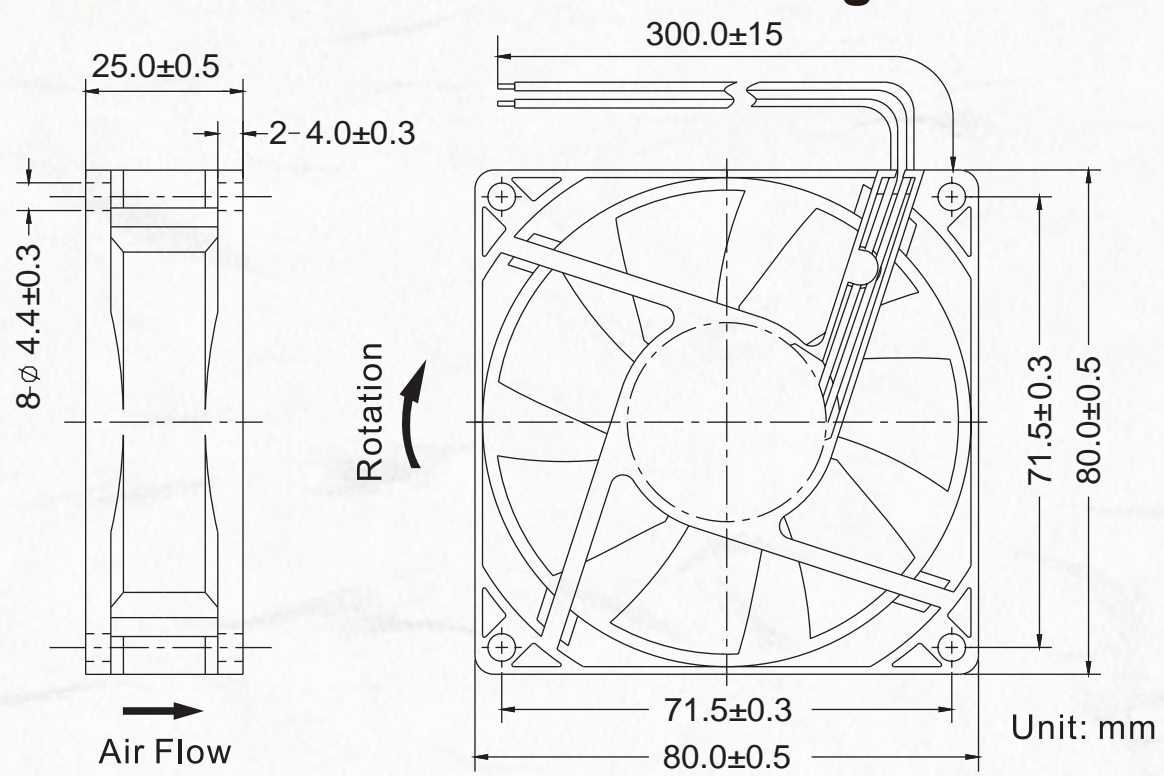


Listed Model	Bearing System	Rated Voltage	Operation Voltage	Rated Current	Rated Speed	Air Flow	Air Pressure	Noise Level	Available Features (Optional)				Weight	
		VDC	VDC	A	RPM	CFM	mmH ₂ O	dBA	Tachometer Output	Rotation Detector	Thermal Control	Pulse Width Modulation	g	
RDH7025S5	Sleeve	5	3.5~5.75	0.70	4,500	34.6	5.7	39	•	•			65	
RDM7025S5			3.5~5.75	0.55	4,000	31.5	4.9	36	•	•				
RDL7025S5			3.5~5.75	0.30	3,000	23.7	3.1	28	•	•				
RDH7025B5			Ball	3.5~5.75	0.70	4,500	34.6	5.7	39	•	•			
RDM7025B5				3.5~5.75	0.55	4,000	31.5	4.9	36	•	•			
RDL7025B5				3.5~5.75	0.30	3,000	23.7	3.1	28	•	•			
RDH7025S	Sleeve	12	6.0~13.8	0.40	5,100	40.6	7.5	42	•	•		•	65	
RDM7025S			6.0~13.8	0.20	4,000	31.5	4.9	36	•	•		•		
RDL7025S			6.0~13.8	0.15	3,000	23.7	3.1	28	•	•		•		
RDH7025B			Ball	6.0~13.8	0.40	5,100	40.6	7.5	42	•	•			•
RDM7025B				6.0~13.8	0.20	4,000	31.5	4.9	36	•	•			•
RDL7025B				6.0~13.8	0.15	3,000	23.7	3.1	28	•	•			•
RDH7025S2	Sleeve	24	12.0~27.6	0.22	5,100	40.6	7.5	42	•	•			65	
RDM7025S2			12.0~27.6	0.12	4,000	31.5	4.9	36	•	•				
RDL7025S2			12.0~27.6	0.10	3,000	23.7	3.1	28	•	•				
RDH7025B2			Ball	12.0~27.6	0.20	5,100	40.6	7.5	42	•	•			
RDM7025B2				12.0~27.6	0.12	4,000	31.5	4.9	36	•	•			
RDL7025B2				12.0~27.6	0.10	3,000	23.7	3.1	28	•	•			



80 x 80 x 25 mm

Dimensions Drawing



Main Application : Energy Storage System

主要應用：儲能設備



Energy Saving

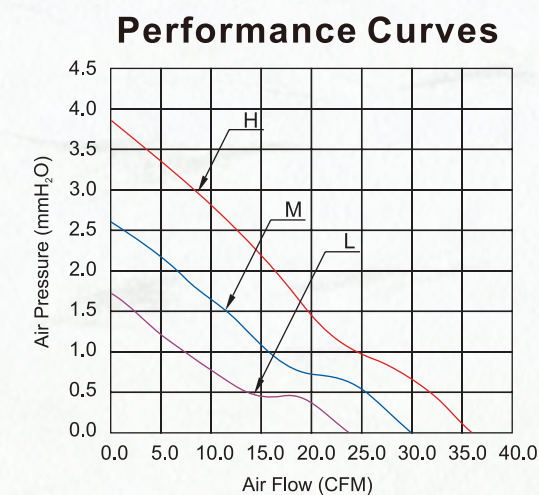


Waterproof and Dustproof



High Speed

- General Specification
- Frame and Impeller : Thermal Plastic , UL 94V-0
- Lead Wires : UL Type
(+) : Red (-) : Black
- Operation Temperature : -10°C~70°C
35%~85%RH
- Storage Temperature : -40°C~80°C
35%~85%RH
-

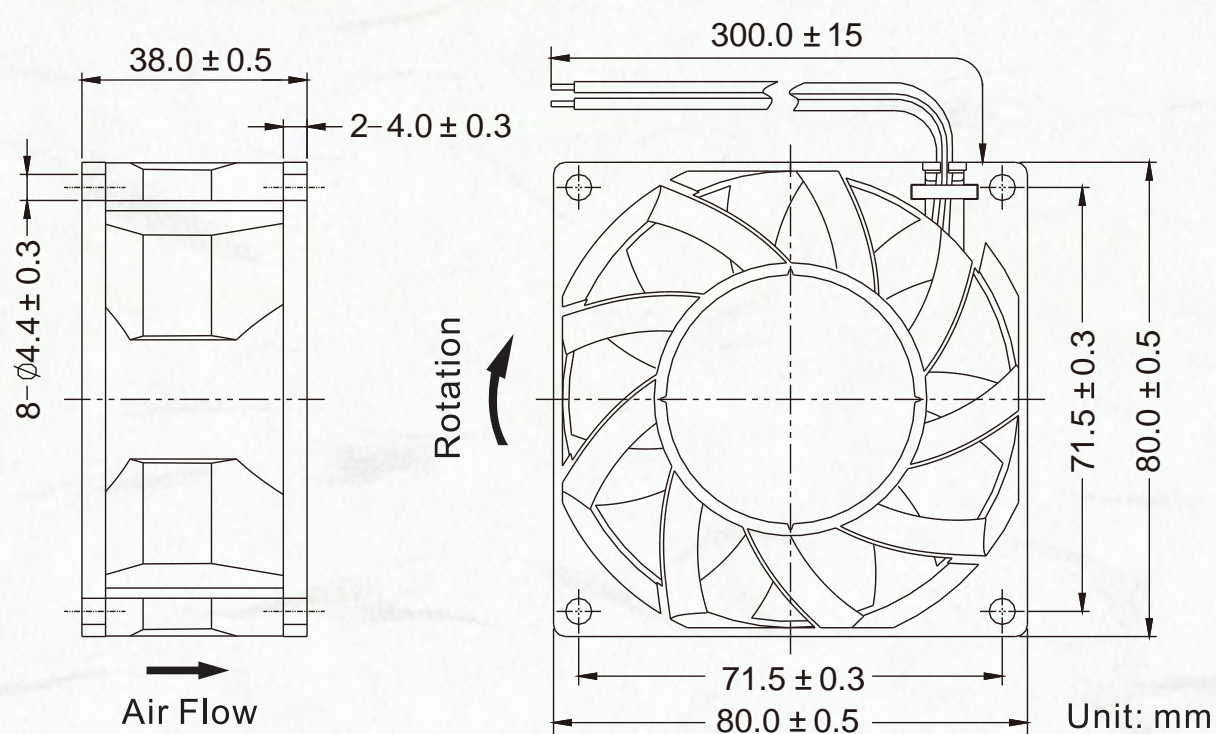


Listed Model	Bearing System	Rated Voltage	Operation Voltage	Rated Current	Rated Speed	Air Flow	Air Pressure	Noise Level	Available Features (Optional)				Weight	
		VDC	VDC	A	RPM	CFM	mmH ₂ O	dBA	Tachometer Output	Rotation Detector	Thermal Control	Pulse Width Modulation	g	
RDH8025S5	Sleeve	5	3.5~5.75	0.40	3,000	35.7	3.8	33	•	•			76	
RDM8025S5			3.5~5.75	0.28	2,500	29.5	2.6	29	•	•				
RDL8025S5			3.5~5.75	0.22	2,000	23.5	1.7	24	•	•				
RDH8025B5			Ball	3.5~5.75	0.40	3,000	35.7	3.8	33	•	•			
RDM8025B5				3.5~5.75	0.28	2,500	29.5	2.6	29	•	•			
RDL8025B5				3.5~5.75	0.22	2,000	23.5	1.7	24	•	•			
RDH8025S	Sleeve	12	6.0~13.8	0.17	3,000	35.7	3.8	33	•	•	•	•		
RDM8025S			6.0~13.8	0.11	2,500	29.5	2.6	29	•	•	•	•		
RDL8025S			6.0~13.8	0.08	2,000	23.5	1.7	24	•	•	•	•		
RDH8025B			Ball	6.0~13.8	0.17	3,000	35.7	3.8	33	•	•	•		•
RDM8025B				6.0~13.8	0.11	2,500	29.5	2.6	29	•	•	•		•
RDL8025B				6.0~13.8	0.08	2,000	23.5	1.7	24	•	•	•		•
RDH8025S2	Sleeve	24	12.0~27.6	0.15	3,000	35.7	3.8	33	•	•				
RDM8025S2			12.0~27.6	0.12	2,500	29.5	2.6	29	•	•				
RDL8025S2			12.0~27.6	0.09	2,000	23.5	1.7	24	•	•				
RDH8025B2			Ball	12.0~27.6	0.15	3,000	35.7	3.8	33	•	•			
RDM8025B2				12.0~27.6	0.12	2,500	29.5	2.6	29	•	•			
RDL8025B2				12.0~27.6	0.09	2,000	23.5	1.7	24	•	•			



80 x 80 x 38 mm

Dimensions Drawing



Main Application : Energy Storage System

主要應用：儲能設備



Energy Saving



Waterproof and Dustproof

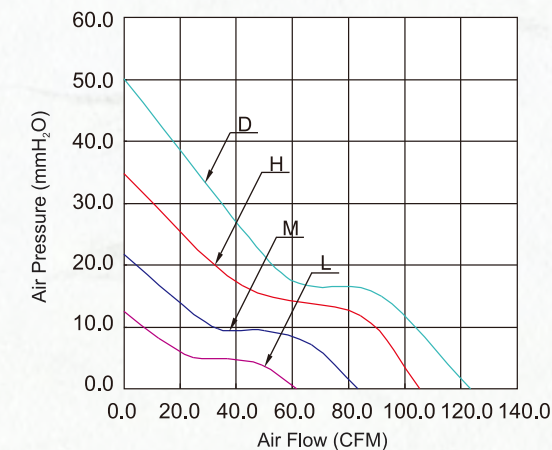


High Speed

General Specification

- Frame and Impeller : Thermal Plastic , UL 94V-0
- Lead Wires : UL Type
(+) : Red (-) : Black
- Operation Temperature : -10°C~70°C
35%~85%RH
- Storage Temperature : -40°C~80°C
35%~85%RH
-

Performance Curves



Listed Model	Bearing System	Rated Voltage	Operation Voltage	Rated Current	Rated Speed	Air Flow	Air Pressure	Noise Level	Available Features (Optional)				Weight
		VDC	VDC	A	RPM	CFM	mmH ₂ O	dBA	Tachometer Output	Rotation Detector	Thermal Control	Pulse Width Modulation	g
RGD8038B1	Ball	12	6.0~13.8	2.80	9,000	123.3	50.0	67	•	•		•	180
RGH8038B1			6.0~13.8	1.55	7,500	105.2	34.8	63	•	•		•	
RGM8038B1			6.0~13.8	0.85	6,000	83.4	21.8	57	•	•		•	
RGL8038B1			6.0~13.8	0.45	4,500	61.5	12.4	49	•	•		•	
RGD8038B2	Ball	24	12.0~27.6	1.40	9,000	123.3	50.0	67	•	•		•	180
RGH8038B2			12.0~27.6	0.78	7,500	105.2	34.8	63	•	•		•	
RGM8038B2			12.0~27.6	0.45	6,000	83.4	21.8	57	•	•		•	
RGL8038B2			12.0~27.6	0.25	4,500	61.5	12.4	49	•	•		•	
RGD8038B4	Ball	48	24.0~55.2	0.75	9,000	123.3	50.0	67	•	•		•	180
RGH8038B4			24.0~55.2	0.45	7,500	105.2	34.8	63	•	•		•	
RGM8038B4			24.0~55.2	0.28	6,000	83.4	21.8	57	•	•		•	
RGL8038B4			24.0~55.2	0.18	4,500	61.5	12.4	49	•	•		•	



Main Application : Energy Storage System

主要應用：儲能設備



Energy Saving



Waterproof and Dustproof

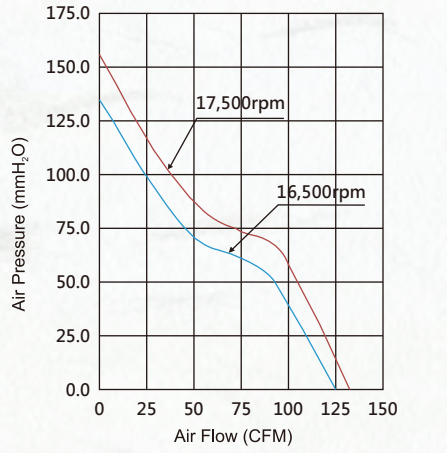


High Speed

General Specification

- Frame and Impeller : Thermal Plastic , UL 94V-0
- Lead Wires : UL Type
(+) : Red (-) : Black
- Operation Temperature : -10°C~70°C
35%~85%RH
- Storage Temperature : -40°C~80°C
35%~85%RH

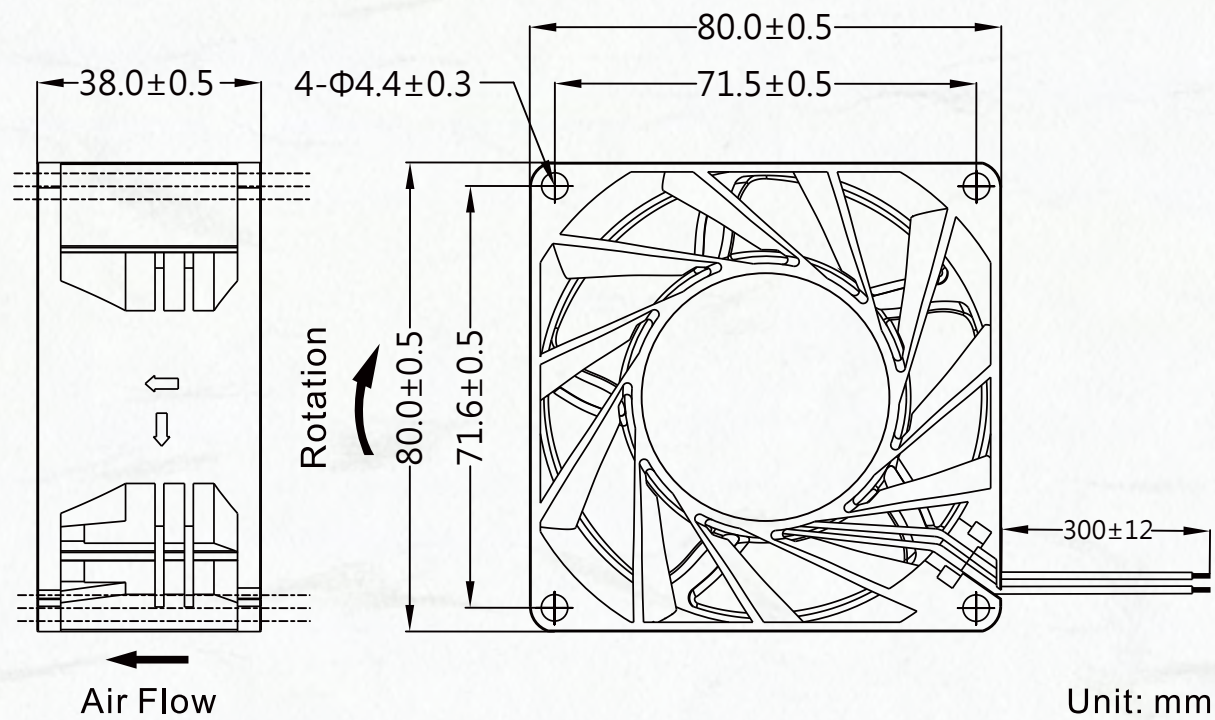
Performance Curves



Listed Model	Bearing System	Rated Voltage	Operation Voltage	Rated Current	Rated Speed	Air Flow	Air Pressure	Noise Level	Available Features (Optional)				Weight
		VDC	VDC	A	RPM	CFM	mmH ₂ O	dBA	Tachometer Output	Rotation Detector	Thermal Control	Pulse Width Modulation	g
RGV8038B1	Ball	12	6.0~13.8	3.3	16,500	125	134	73.0	•	•		•	180
				3.9	17,500	132	155	73.5	•	•		•	

80 x 80 x 38 mm

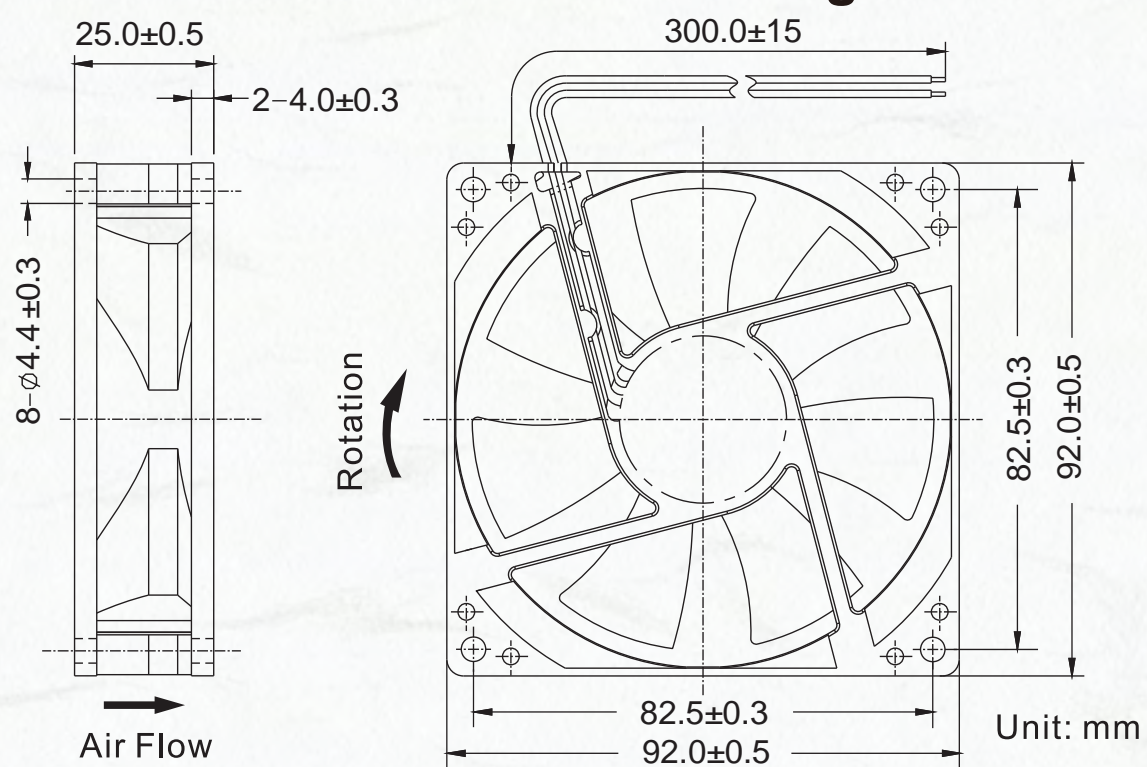
Dimensions Drawing





92 x 92 x 25 mm

Dimensions Drawing



Main Application : Energy Storage System

主要應用：儲能設備

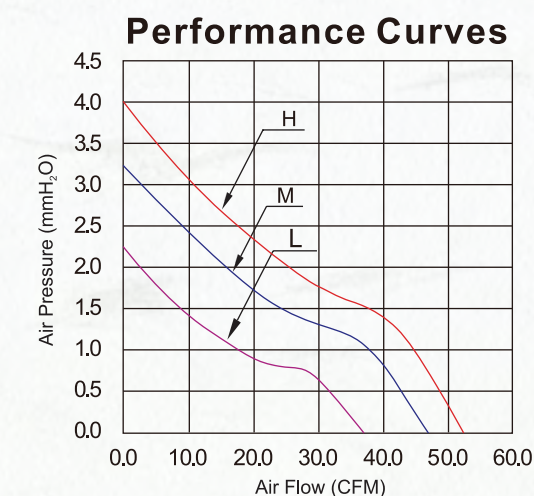


Energy Saving

Waterproof and Dustproof

High Speed

- General Specification**
- Frame and Impeller : Thermal Plastic , UL 94V-0
- Lead Wires : UL Type
(+) : Red (-) : Black
- Operation Temperature : -10°C~70°C
35%~85%RH
- Storage Temperature : -40°C~80°C
35%~85%RH
- UL US CE



Listed Model	Bearing System	Rated Voltage	Operation Voltage	Rated Current	Rated Speed	Air Flow	Air Pressure	Noise Level	Available Features (Optional)				Weight
		VDC	VDC	A	RPM	CFM	mmH ₂ O	dBA	Tachometer Output	Rotation Detector	Thermal Control	Pulse Width Modulation	g
RDH9025S	Sleeve	12	6.0~13.8	0.23	2,800	52.3	4.0	37	•	•	•	•	85
RDM9025S			6.0~13.8	0.19	2,500	47.0	3.2	34	•	•	•	•	
RDL9025S			6.0~13.8	0.16	2,000	37.1	2.3	29	•	•	•	•	
RDH9025B	Ball		6.0~13.8	0.23	2,800	52.3	4.0	37	•	•	•	•	
RDM9025B			6.0~13.8	0.19	2,500	47.0	3.2	34	•	•	•	•	
RDL9025B			6.0~13.8	0.16	2,000	37.1	2.3	29	•	•	•	•	
RDH9025S2	Sleeve	24	12.0~27.6	0.22	2,800	52.3	4.0	37	•	•	•	•	85
RDM9025S2			12.0~27.6	0.18	2,500	47.0	3.2	34	•	•	•	•	
RDL9025S2			12.0~27.6	0.15	2,000	37.1	2.3	29	•	•	•	•	
RDH9025B2	Ball		12.0~27.6	0.22	2,800	52.3	4.0	37	•	•	•	•	
RDM9025B2			12.0~27.6	0.18	2,500	47.0	3.2	34	•	•	•	•	
RDL9025B2			12.0~27.6	0.15	2,000	37.1	2.3	29	•	•	•	•	



Main Application : Energy Storage System

主要應用：儲能設備



Energy Saving



Waterproof and Dustproof

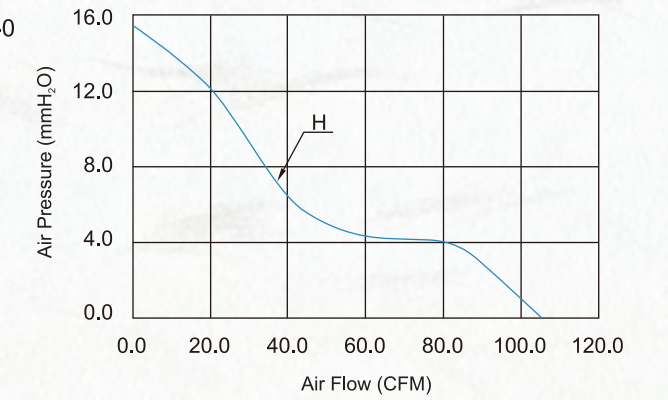


High Speed

General Specification

- Frame and Impeller : Thermal Plastic , UL 94V-0
- Lead Wires : UL Type
(+) : Red (-) : Black
- Operation Temperature : -10°C~70°C
35%~85%RH
- Storage Temperature : -40°C~80°C
35%~85%RH

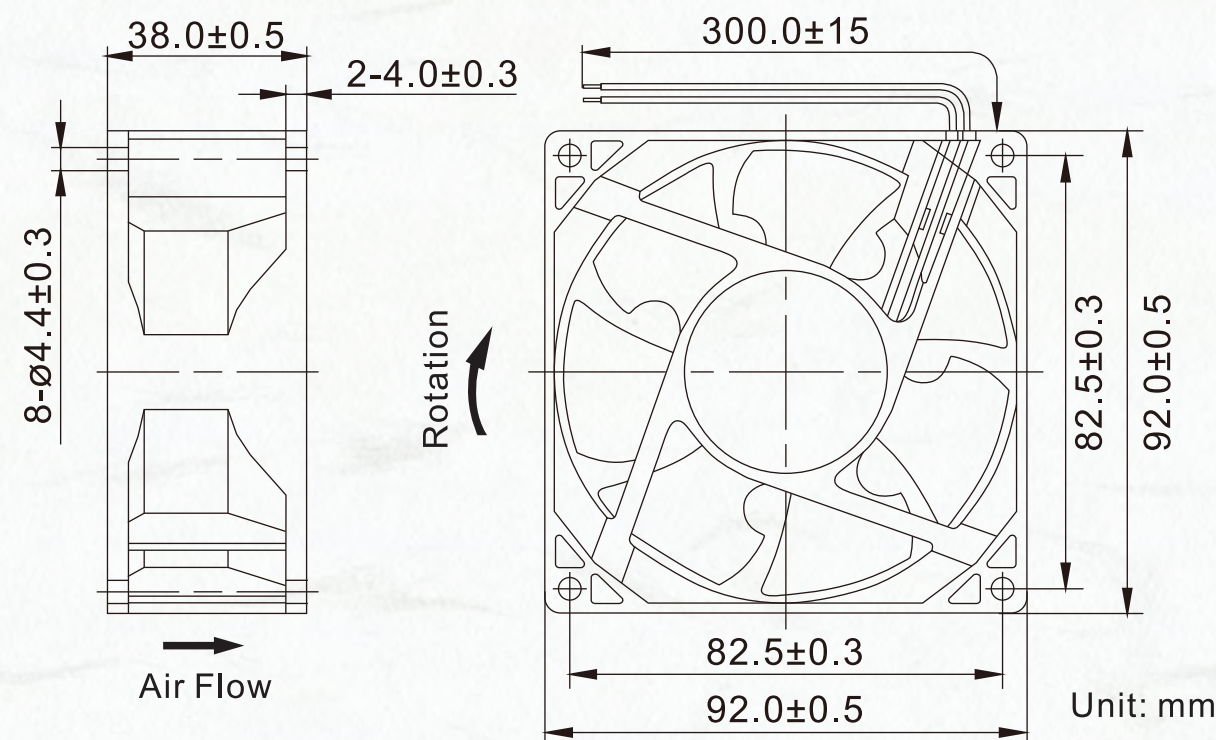
Performance Curves



Listed Model	Bearing System	Rated Voltage	Operation Voltage	Rated Current	Rated Speed	Air Flow	Air Pressure	Noise Level	Available Features (Optional)				Weight
		VDC	VDC	A	RPM	CFM	mmH ₂ O	dBA	Tachometer Output	Rotation Detector	Thermal Control	Pulse Width Modulation	g
RDH9238B1	Ball	12	7.0~13.8	2.2	5,000	105.0	15.4	52	•	•	•	•	196

92 x 92 x 38 mm

Dimensions Drawing





Main Application : Energy Storage System

主要應用：儲能設備



Energy Saving

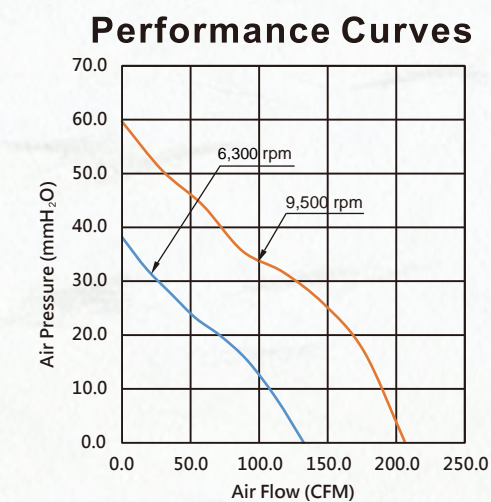


Waterproof and Dustproof



High Speed

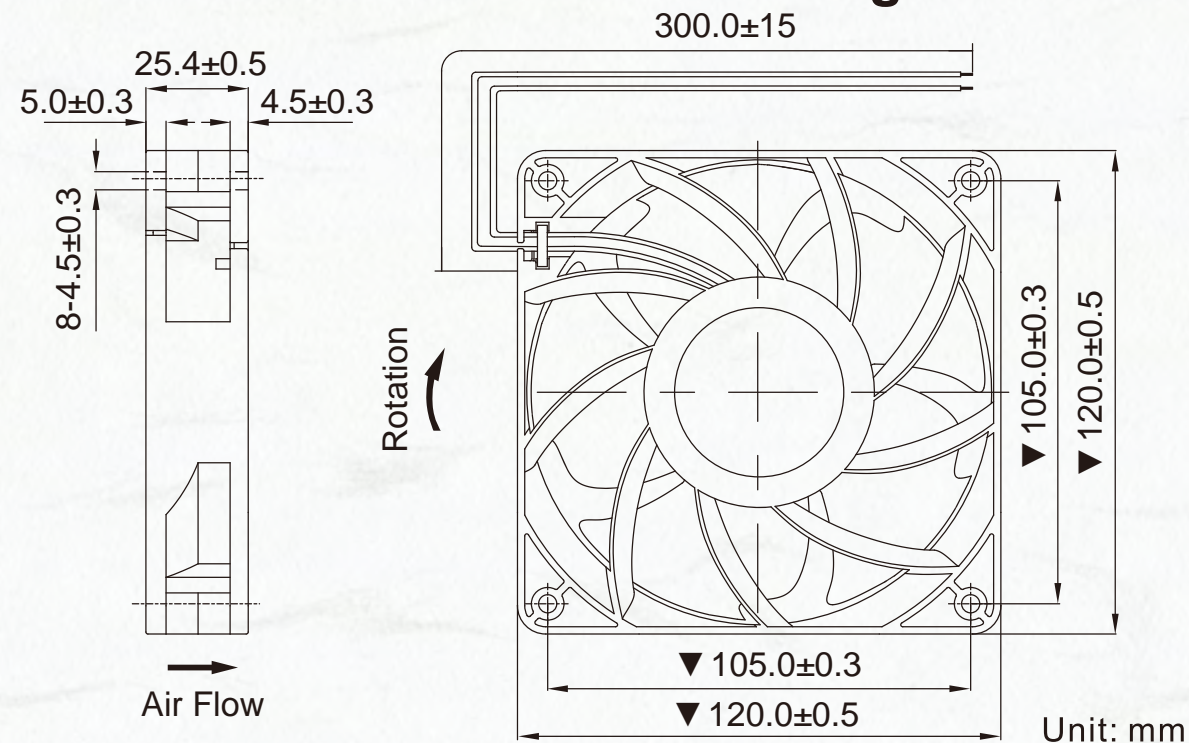
- **General Specification**
- Frame and Impeller : Thermal Plastic, UL94V-0
- Lead Wires : UL Type
(+) : Red (-) : Black
- Operation Temperature : -10°C~70°C
35%~85%RH
- Storage Temperature : -40°C~80°C
35%~85%RH
-



Listed Model	Bearing System	Rated Voltage	Operation Voltage	Rated Current	Rated Speed	Air Flow	Air Pressure	Noise Level	Available Features (Optional)				Weight
		VDC	VDC	A	RPM	CFM	mmH ₂ O	dBA	Tachometer Output	Rotation Detector	Thermal Control	Pulse Width Modulation	g
RDV1225B1	Ball	12	6.0~13.8	0.9	6,300	132.6	38.2	59	•	•		•	256
RDV1225B2		24	12.0~27.6	1.45	9,500	206	59.7	67.5	•	•		•	

120 x 120 x 25 mm

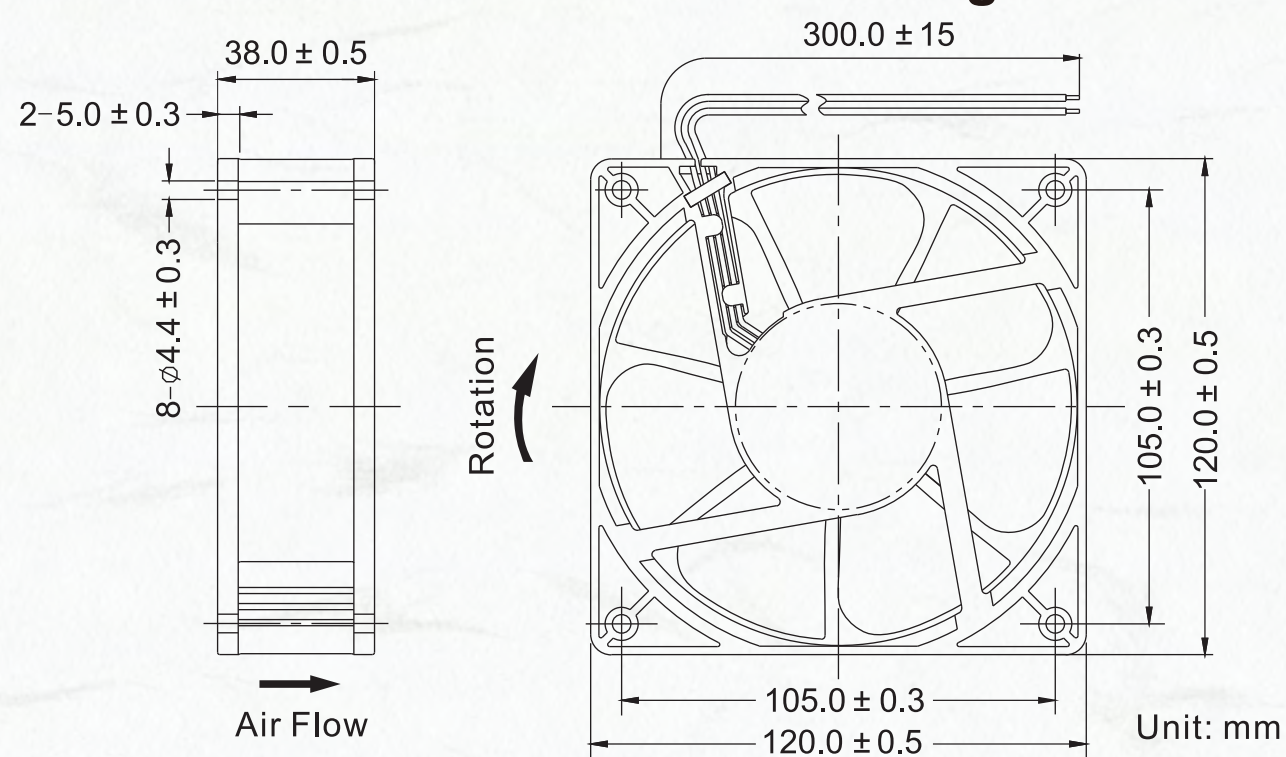
Dimensions Drawing





120 x 120 x 38 mm

Dimensions Drawing



Main Application : Energy Storage System

主要應用：儲能設備



Energy Saving



Waterproof and Dustproof



High Speed

General Specification

Frame and Impeller : Thermal Plastic , UL 94V-0

Lead Wires : UL Type

(+) : Red (-) : Black

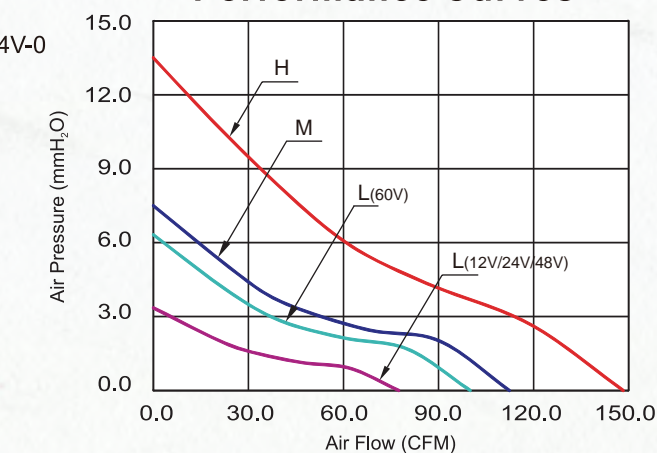
Operation Temperature : -10°C~70°C
35%~85%RH

Storage Temperature : -40°C~80°C
35%~85%RH

UL (12V 24V 48V)

UL (60V)

Performance Curves



Listed Model	Bearing System	Rated Voltage	Operation Voltage	Rated Current	Rated Speed	Air Flow	Air Pressure	Noise Level	Available Features (Optional)				Weight	
		VDC	VDC	A	RPM	CFM	mmH ₂ O	dBA	Tachometer Output	Rotation Detector	Thermal Control	Pulse Width Modulation	g	
RDH1238S1	Sleeve	12	6.0~13.8	1.30	3,800	148.3	13.5	52	•	•	•	•	290	
RDM1238S1			6.0~13.8	0.58	2,900	112.4	7.5	44	•	•	•	•		
RDL1238S1			6.0~13.8	0.28	2,000	77.4	3.3	35	•	•	•	•		
RDH1238B1			Ball	6.0~13.8	1.30	3,800	148.3	13.5	52	•	•	•		•
RDM1238B1				6.0~13.8	0.58	2,900	112.4	7.5	44	•	•	•		•
RDL1238B1				6.0~13.8	0.28	2,000	77.4	3.3	35	•	•	•		•
RDH1238S2	Sleeve	24	12.0~27.6	0.60	3,800	148.3	13.5	52	•	•	•	•	290	
RDM1238S2			12.0~27.6	0.40	2,900	112.4	7.5	44	•	•	•	•		
RDL1238S2			12.0~27.6	0.30	2,000	77.4	3.3	35	•	•	•	•		
RDH1238B2			Ball	12.0~27.6	0.60	3,800	148.3	13.5	52	•	•	•		•
RDM1238B2				12.0~27.6	0.40	2,900	112.4	7.5	44	•	•	•		•
RDL1238B2				12.0~27.6	0.30	2,000	77.4	3.3	35	•	•	•		•
RDH1238S4	Sleeve	48	24.0~55.2	0.35	3,800	148.3	13.5	52	•	•	•	•	290	
RDM1238S4			24.0~55.2	0.30	2,900	112.4	7.5	44	•	•	•	•		
RDL1238S4			24.0~55.2	0.20	2,000	77.4	3.3	35	•	•	•	•		
RDH1238B4			Ball	24.0~55.2	0.35	3,800	148.3	13.5	52	•	•	•		•
RDM1238B4				24.0~55.2	0.30	2,900	112.4	7.5	44	•	•	•		•
RDL1238B4				24.0~55.2	0.20	2,000	77.4	3.3	35	•	•	•		•
RDL1238B6	Ball	60	36.0~72.0	0.30	2,600	100.0	6.3	41	•	•	•	•		



Main Application : Energy Storage System

主要應用：儲能設備



Energy Saving



Waterproof and Dustproof

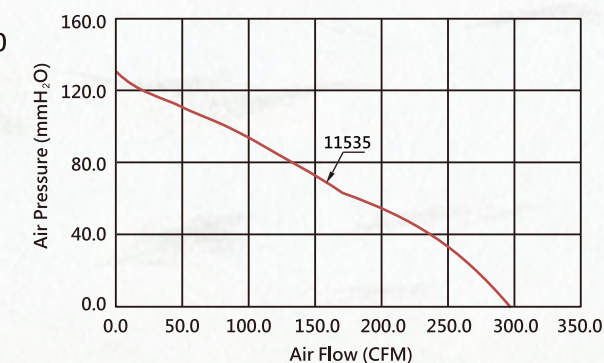


High Speed

General Specification

- Frame and Impeller : Thermal Plastic, UL94V-0
- Lead Wires : UL Type
(+) : Red (-) : Black
- Operation Temperature : -10°C~70°C
35%~85%RH
- Storage Temperature : -40°C~80°C
35%~85%RH

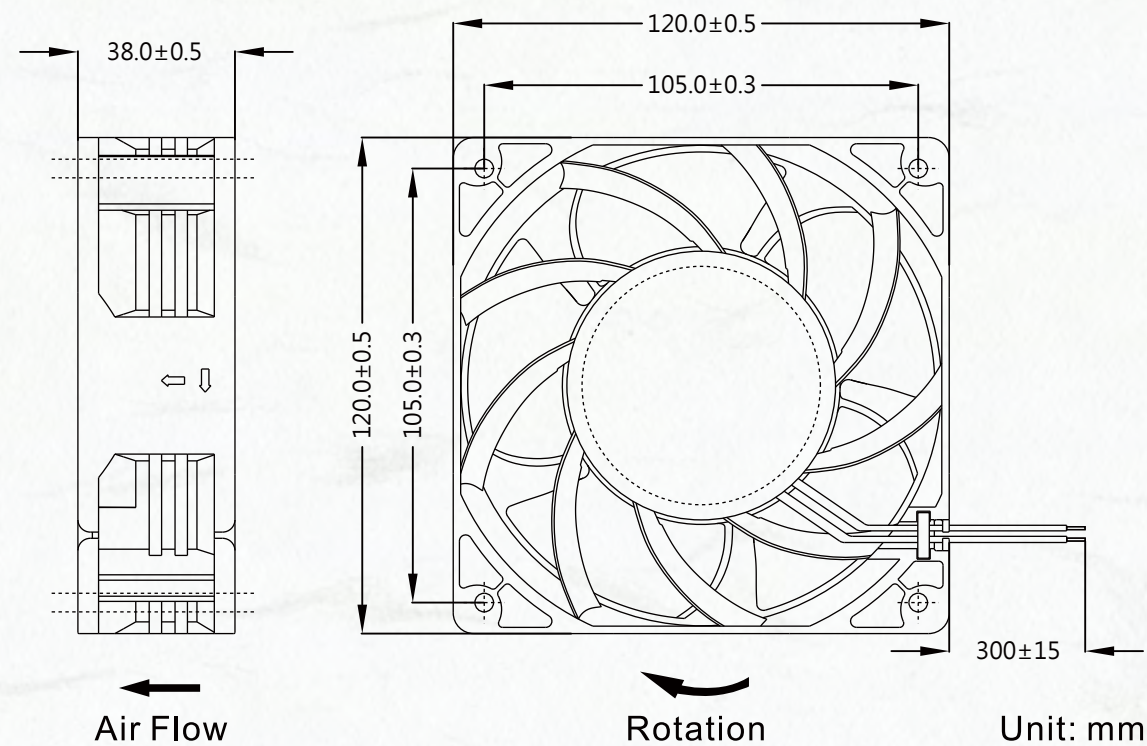
Performance Curves



Listed Model	Bearing System	Rated Voltage	Operation Voltage	Rated Current	Rated Speed	Air Flow	Air Pressure	Noise Level	Available Features (Optional)				Weight
		VDC	VDC	A	RPM	CFM	mmH ₂ O	dBA	Tachometer Output	Rotation Detector	Thermal Control	Pulse Width Modulation	g
RGV1238B4	Ball	48	24.0~55.2	1.95	11,535	294.0	131.8	76.5	•	•		•	290

120 x 120 x 38 mm

Dimensions Drawing



Company Location

服務據點



Head Office



Sales Office



Factory

