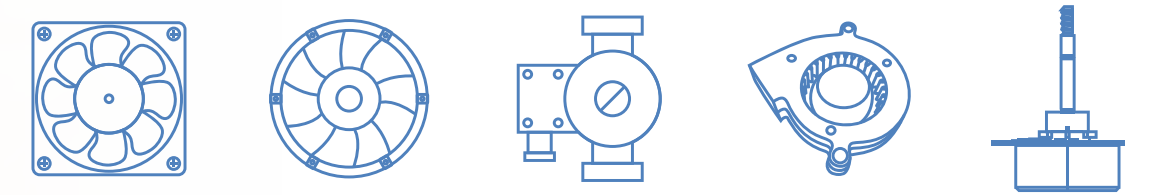


Vehicles Equipment

車載周邊設備



info@x-fan.com

TEL : +886-7-2692559

FAX : +886-7-2692590

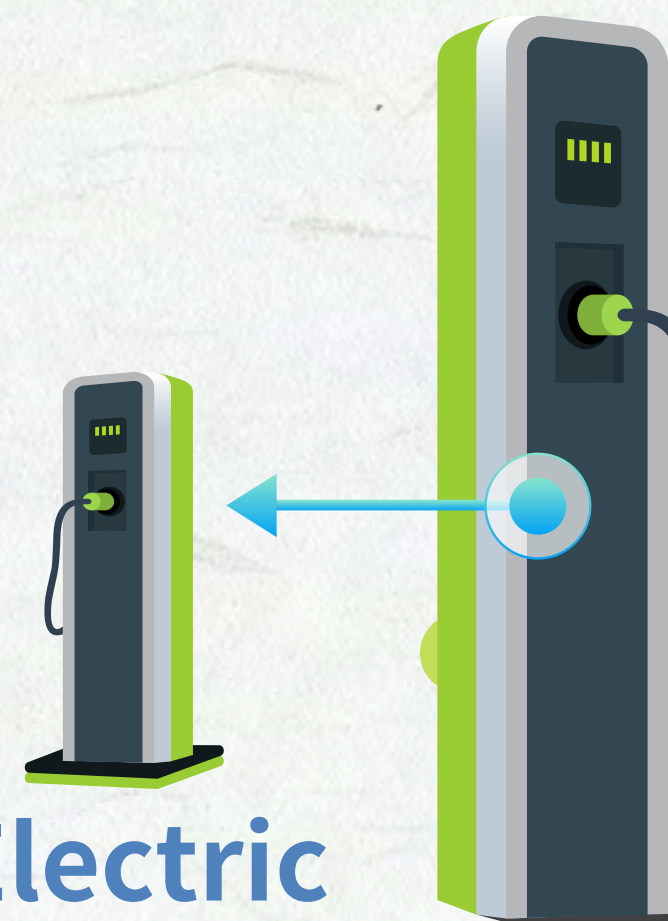




Vehicles Equipment

車載周邊設備

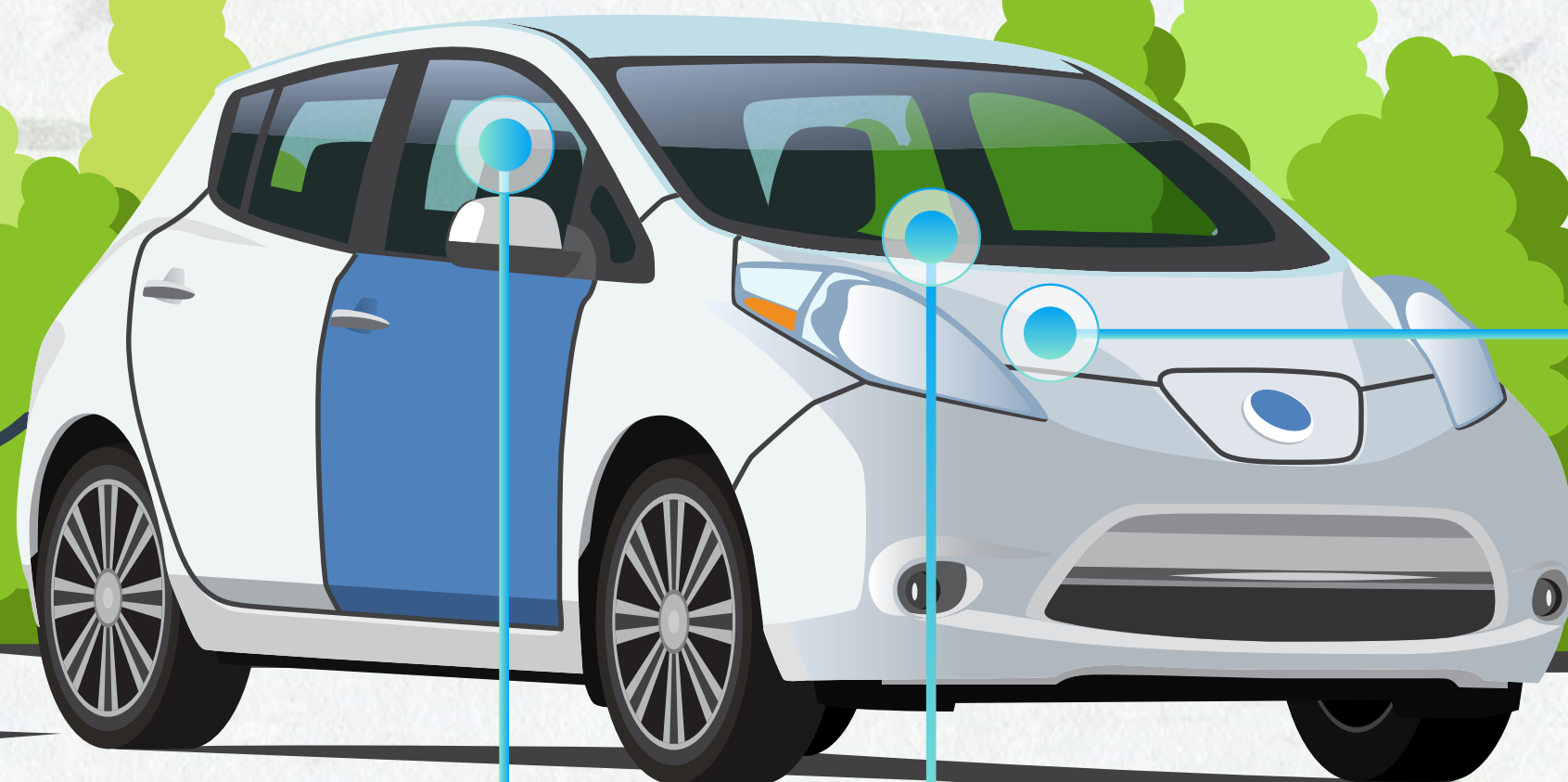
※Please do not hesitate to let us know if any customization request.
本公司亦提供客製化服務，若有其他需求歡迎聯絡我們。



Electric Vehicle Charger

車用充電樁

DC/AC Axial Fan : 40x28/80x38/172x51/
Ø 222 x 60 mm



Seat Cushion

汽車座椅

DC Axial Fan : 50x15/60x20/60x25 mm



Fragrance

車用芳香器

DC Axial Fan : 25x10/30x10/40x10 mm



Car Refrigerator

車用冰箱

DC Axial Fan : 92x25 mm



Contents 目錄

✿ Axial Fan

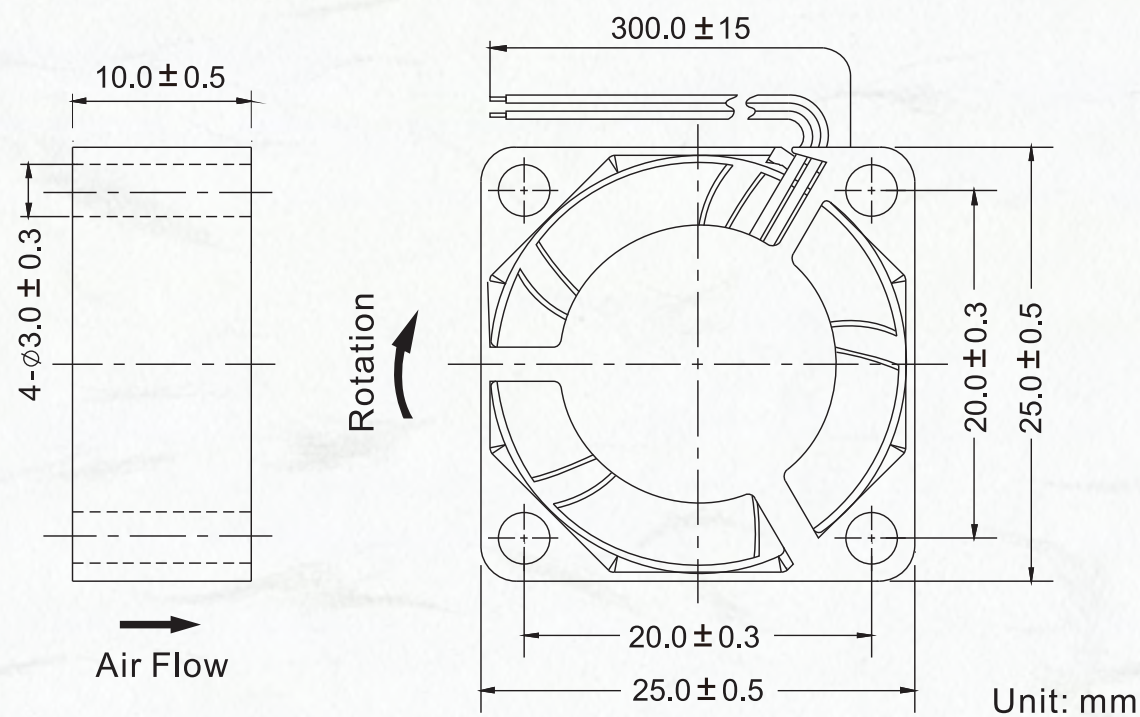


04	DC_2510	08	DC_4028(V)	11	DC_6025	14	DC_9025
05	DC_3010	09	DC_5015	12	DC_8038	15	AC_1751
06	DC_4010	10	DC_6020	13	DC_8038(V)	16	AC_2260
07	DC_4028						



25 x 25 x 10 mm

Dimensions Drawing



Main Application : Fragrance

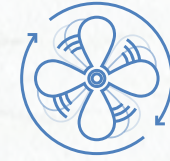
主要應用：車用芳香器



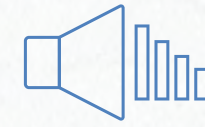
Energy Saving



Waterproof and Dustproof



High Speed

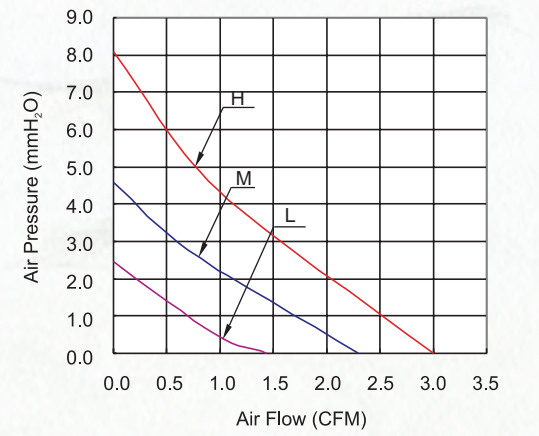


Low Noise

General Specification

- Frame and Impeller : Thermal Plastic , UL 94V-0
- Lead Wires : UL Type
(+) : Red (-) : Black
- Operation Temperature : -10°C~70°C
35%~85%RH
- Storage Temperature : -40°C~80°C
35%~85%RH
-

Performance Curves

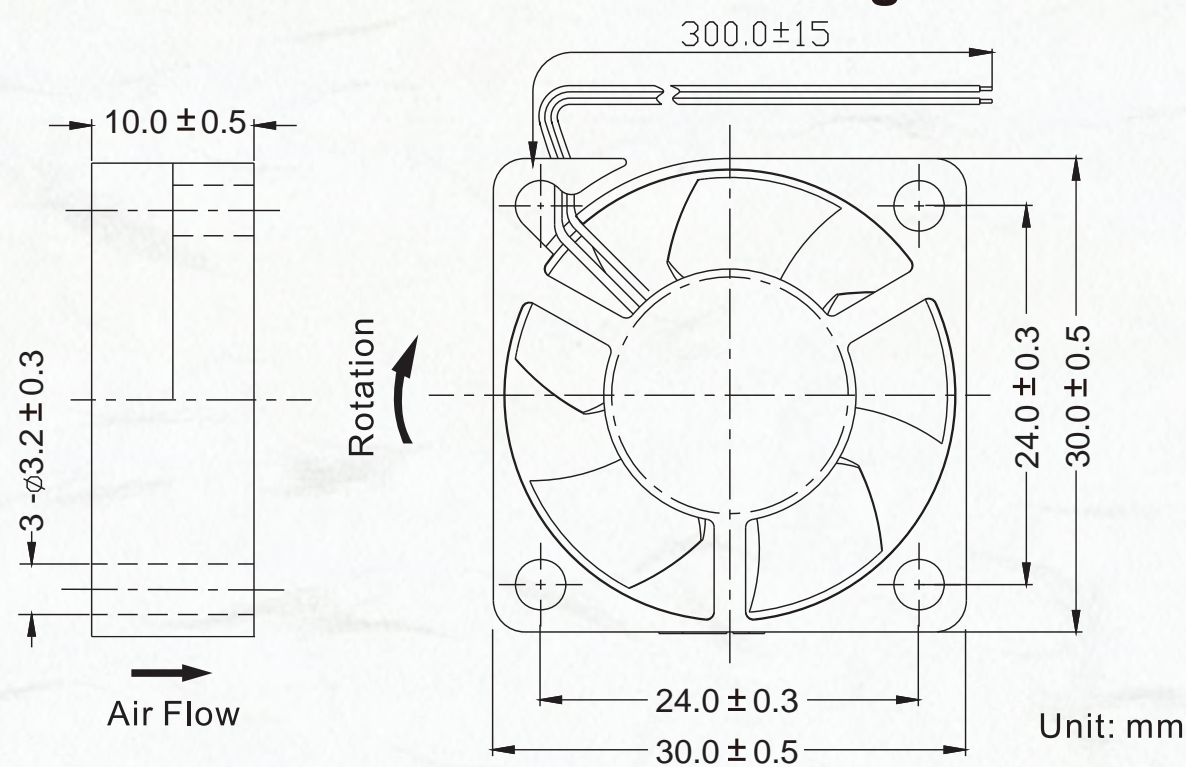


Listed Model	Bearing System	Rated Voltage	Operation Voltage	Rated Current	Rated Speed	Air Flow	Air Pressure	Noise Level	Available Features (Optional)				Weight		
		VDC	VDC	A	RPM	CFM	mmH ₂ O	dBA	Tachometer Output	Rotation Detector	Thermal Control	Pulse Width Modulation	g		
RDH2510S5	Sleeve	5	4.0~5.75	0.16	13,000	3.0	8.1	30	•	•			7		
RDM2510S5			4.0~5.75	0.12	10,000	2.3	4.6	23	•	•					
RDL2510S5			4.0~5.75	0.08	7,000	1.4	2.5	19	•	•					
RDH2510B5			4.0~5.75	0.16	13,000	3.0	8.1	30	•	•					
RDM2510B5	Ball	5	4.0~5.75	0.12	10,000	2.3	4.6	23	•	•					
RDL2510B5			4.0~5.75	0.08	7,000	1.4	2.5	19	•	•					
RDH2510S			Sleeve	12	6.0~13.8	0.10	13,000	3.0	8.1	30	•	•			
RDM2510S					6.0~13.8	0.08	10,000	2.3	4.6	23	•	•			
RDL2510S	6.0~13.8	0.06			7,000	1.4	2.5	19	•	•					
RDH2510B	6.0~13.8	0.10			13,000	3.0	8.1	30	•	•					
RDM2510B	Ball	12	6.0~13.8	0.08	10,000	2.3	4.6	23	•	•					
RDL2510B			6.0~13.8	0.06	7,000	1.4	2.5	19	•	•					



30 x 30 x 10 mm

Dimensions Drawing



Main Application : Fragrance

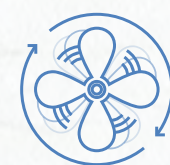
主要應用：車用芳香器



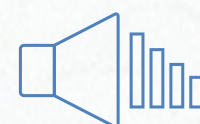
Energy Saving



Waterproof and Dustproof



High Speed

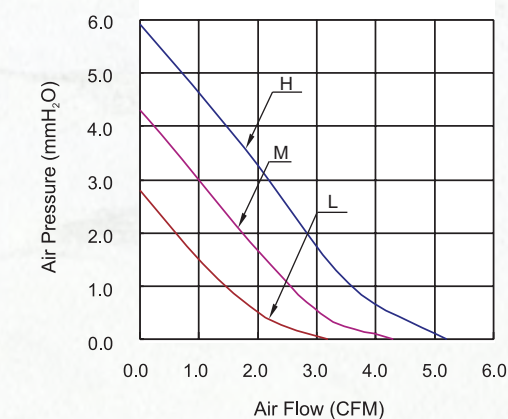


Low Noise

General Specification

- Frame and Impeller : Thermal Plastic , UL 94V-0
- Lead Wires : UL Type
(+) : Red (-) : Black
- Operation Temperature : -10°C~70°C
35%~85%RH
- Storage Temperature : -40°C~80°C
35%~85%RH
-

Performance Curves

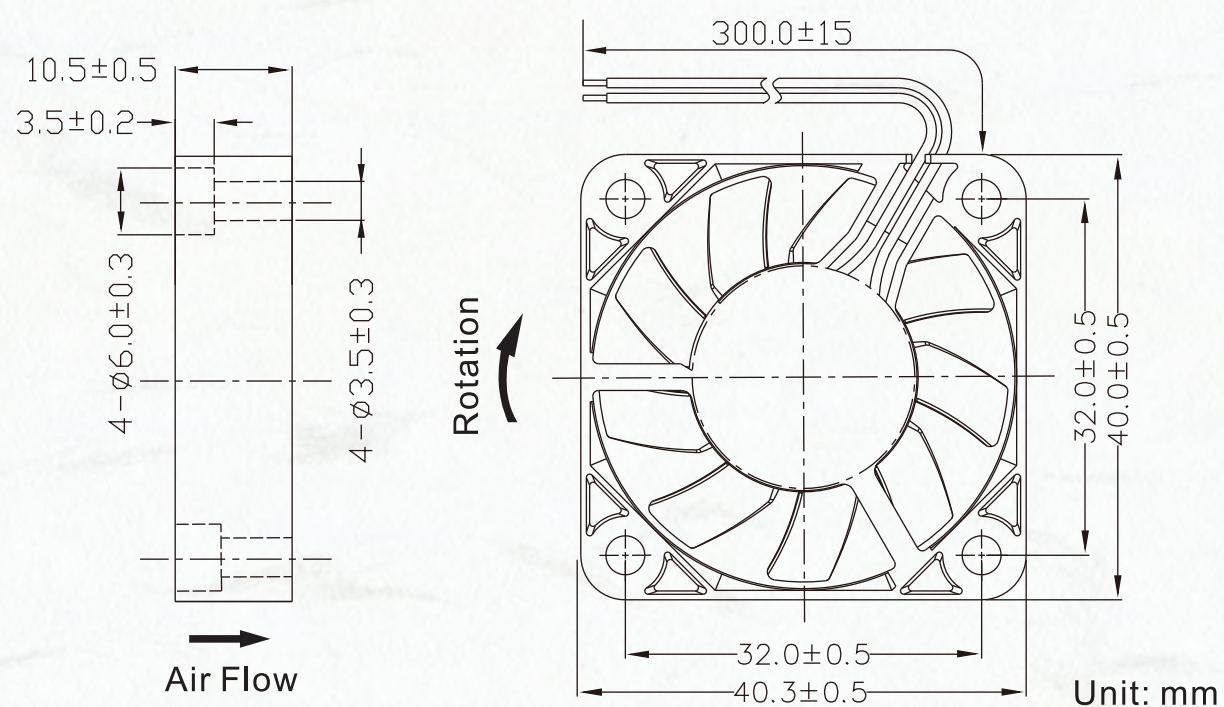


Listed Model	Bearing System	Rated Voltage	Operation Voltage	Rated Current	Rated Speed	Air Flow	Air Pressure	Noise Level	Available Features (Optional)				Weight	
		VDC	VDC	A	RPM	CFM	mmH ₂ O	dBA	Tachometer Output	Rotation Detector	Thermal Control	Pulse Width Modulation	g	
RDH3010S5	Sleeve	5	4.0~5.75	0.20	11,000	5.2	5.9	32	•	•			8.5	
RDM3010S5			4.0~5.75	0.14	9,000	4.3	4.3	27	•	•				
RDL3010S5			4.0~5.75	0.12	7,000	3.2	2.8	23	•	•				
RDH3010B5			Ball	4.0~5.75	0.20	11,000	5.2	5.9	32	•	•			
RDM3010B5				4.0~5.75	0.14	9,000	4.3	4.3	27	•	•			
RDL3010B5	4.0~5.75	0.12		7,000	3.2	2.8	23	•	•					
RDH3010S	Sleeve	12	6.0~13.8	0.10	11,000	5.2	5.9	32	•	•				
RDM3010S			6.0~13.8	0.09	9,000	4.3	4.3	27	•	•				
RDL3010S			6.0~13.8	0.06	7,000	3.2	2.8	23	•	•				
RDH3010B	Ball		6.0~13.8	0.10	11,000	5.2	5.9	32	•	•				
RDM3010B			6.0~13.8	0.09	9,000	4.3	4.3	27	•	•				
RDL3010B			6.0~13.8	0.06	7,000	3.2	2.8	23	•	•				



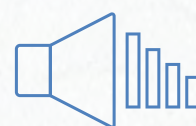
40 x 40 x 10 mm

Dimensions Drawing



Main Application : Fragrance

主要應用：車用芳香器



Energy Saving

Waterproof and Dustproof

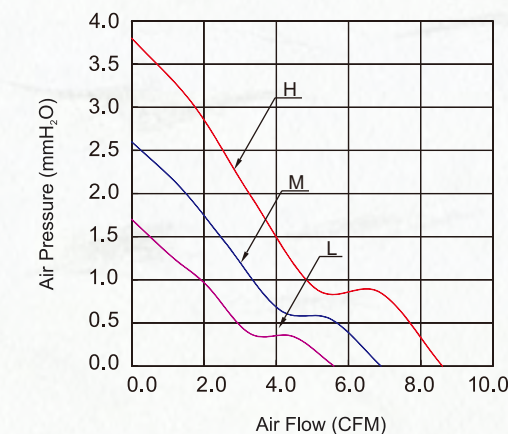
High Speed

Low Noise

General Specification

- Frame and Impeller : Thermal Plastic , UL 94V-0
- Lead Wires : UL Type
(+) : Red (-) : Black
- Operation Temperature : -10°C~70°C
35%~85%RH
- Storage Temperature : -40°C~80°C
35%~85%RH
- UL US CE

Performance Curves

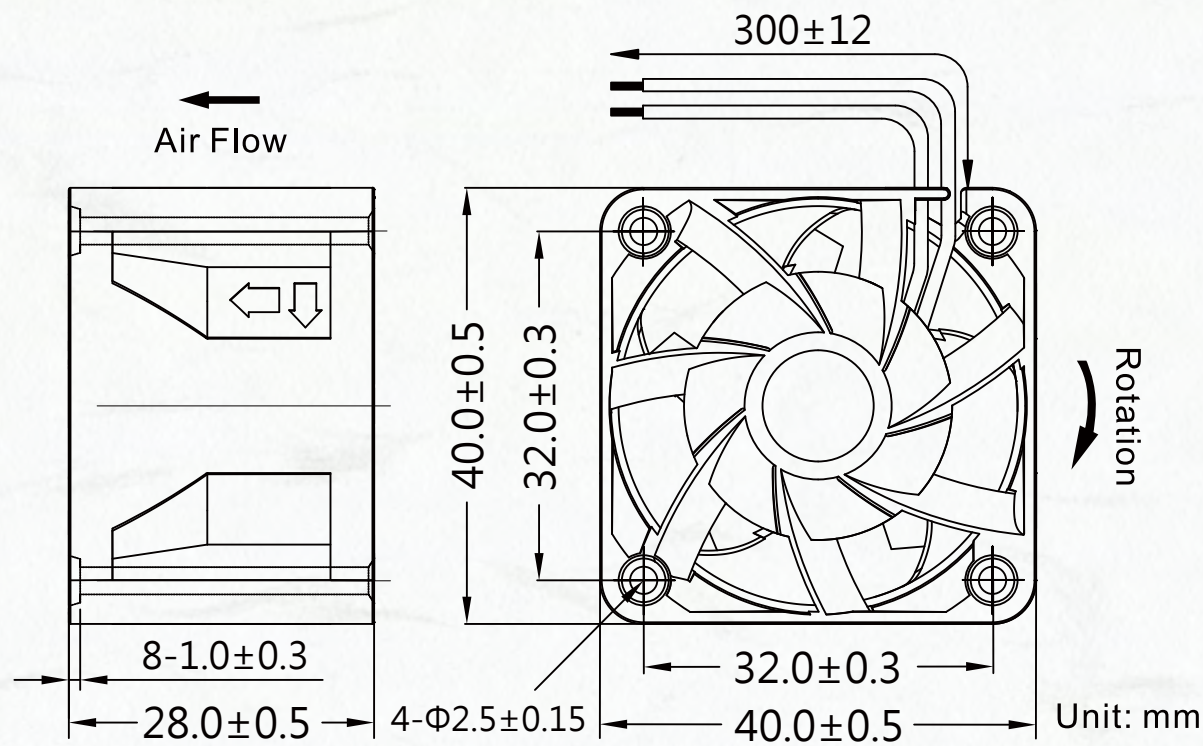


Listed Model	Bearing System	Rated Voltage	Operation Voltage	Rated Current	Rated Speed	Air Flow	Air Pressure	Noise Level	Available Features (Optional)				Weight	
		VDC	VDC	A	RPM	CFM	mmH ₂ O	dBA	Tachometer Output	Rotation Detector	Thermal Control	Pulse Width Modulation	g	
RDH4010S5	Sleeve	5	3.5~5.75	0.20	6,500	8.6	3.8	32	•	•			16	
RDM4010S5			3.5~5.75	0.16	5,500	6.9	2.6	28	•	•				
RDL4010S5			3.5~5.75	0.13	4,500	5.6	1.7	25	•	•				
RDH4010B5			Ball	3.5~5.75	0.20	6,500	8.6	3.8	32	•	•			
RDM4010B5				3.5~5.75	0.16	5,500	6.9	2.6	28	•	•			
RDL4010B5				3.5~5.75	0.13	4,500	5.6	1.7	25	•	•			
RDH4010S1	Sleeve	12	6.0~13.8	0.09	6,500	8.6	3.8	32	•	•				
RDM4010S1			6.0~13.8	0.07	5,500	6.9	2.6	28	•	•				
RDL4010S1			7.0~13.8	0.06	4,500	5.6	1.7	25	•	•				
RDH4010B1			Ball	6.0~13.8	0.09	6,500	8.6	3.8	32	•	•			
RDM4010B1				6.0~13.8	0.07	5,500	6.9	2.6	28	•	•			
RDL4010B1				7.0~13.8	0.06	4,500	5.6	1.7	25	•	•			
RDH4010S2	Sleeve	24	12.0~27.6	0.09	6,500	8.6	3.8	32	•	•				
RDM4010S2			12.0~27.6	0.06	5,500	6.9	2.6	28	•	•				
RDL4010S2			16.0~27.6	0.05	4,500	5.6	1.7	25	•	•				
RDH4010B2			Ball	12.0~27.6	0.09	6,500	8.6	3.8	32	•	•			
RDM4010B2				12.0~27.6	0.06	5,500	6.9	2.6	28	•	•			
RDL4010B2				16.0~27.6	0.05	4,500	5.6	1.7	25	•	•			



40 x 40 x 28 mm

Dimensions Drawing



Main Application : Electric Vehicle Charger

主要應用：車用充電樁



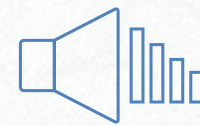
Energy Saving



Waterproof and Dustproof



High Speed

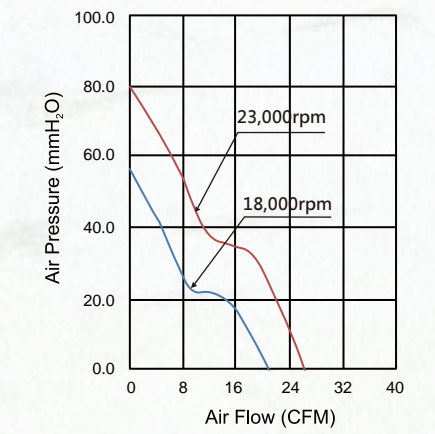


Low Noise

General Specification

- Frame and Impeller : Thermal Plastic , UL 94V-0
- Lead Wires : UL Type
(+) : Red (-) : Black
- Operation Temperature : -10°C~70°C
35%~85%RH
- Storage Temperature : -40°C~80°C
35%~85%RH
-

Performance Curves



Listed Model	Bearing System	Rated Voltage	Operation Voltage	Rated Current	Rated Speed	Air Flow	Air Pressure	Noise Level	Available Features (Optional)				Weight
		VDC	VDC	A	RPM	CFM	mmH ₂ O	dBA	Tachometer Output	Rotation Detector	Thermal Control	Pulse Width Modulation	g
RGD4028B1	Ball	12	6.0~13.8	0.65	23,000	26.3	80.0	58.0	•	•	•	•	50
			6.0~13.8	0.4	18,000	20.5	56.0	54	•	•	•	•	
		24	12.0~27.6	0.3	23,000	26.3	80.0	58.0	•	•	•	•	
			12.0~27.6	0.2	18,000	20.5	56.0	54	•	•	•	•	



Main Application : Electric Vehicle Charger

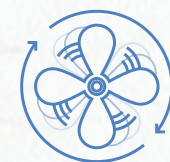
主要應用：車用充電樁



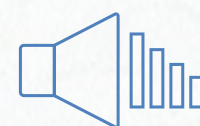
Energy Saving



Waterproof and Dustproof



High Speed

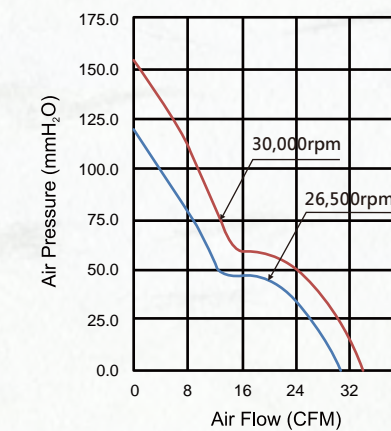


Low Noise

General Specification

- Frame and Impeller : Thermal Plastic , UL 94V-0
- Lead Wires : UL Type
(+) : Red (-) : Black
- Operation Temperature : -10°C~70°C
35%~85%RH
- Storage Temperature : -40°C~80°C
35%~85%RH

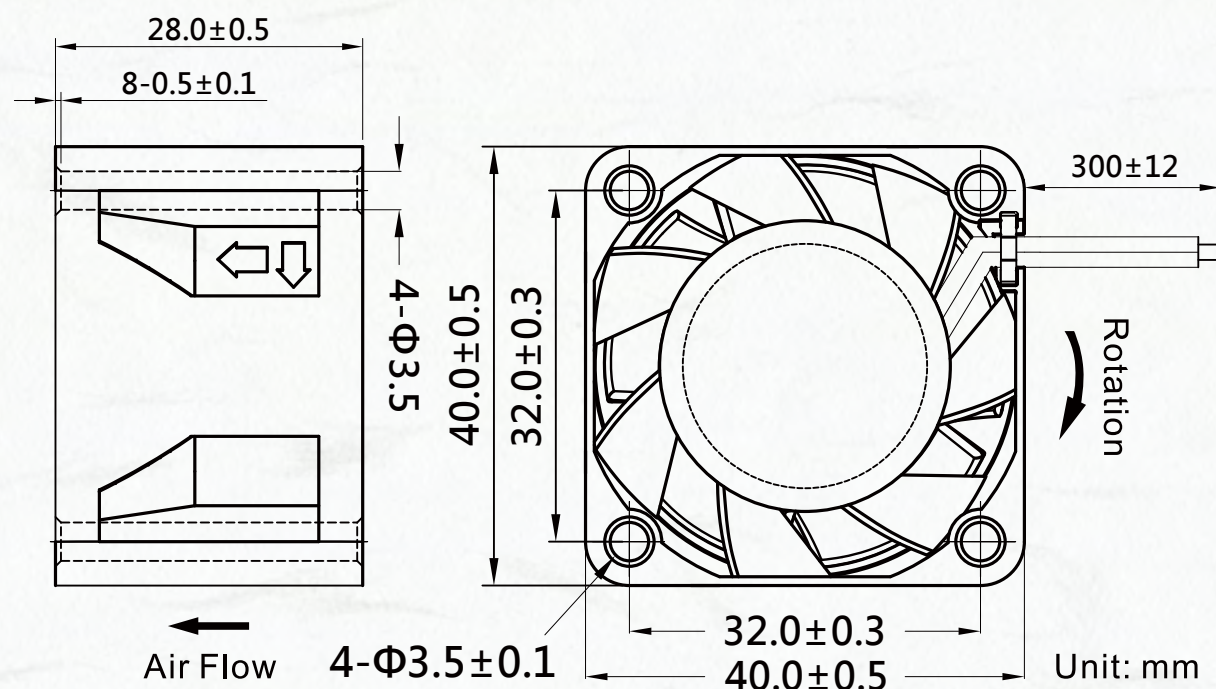
Performance Curves



Listed Model	Bearing System	Rated Voltage	Operation Voltage	Rated Current	Rated Speed	Air Flow	Air Pressure	Noise Level	Available Features (Optional)				Weight
		VDC	VDC	A	RPM	CFM	mmH ₂ O	dBA	Tachometer Output	Rotation Detector	Thermal Control	Pulse Width Modulation	g
RGV4028B1	Ball	12	6.0~13.8	2.10	30,000	34.0	152.0	71	•	•	•	•	50
			6.0~13.8	1.45	26,500	30.2	112.4	67	•	•	•	•	

40 x 40 x 28 mm

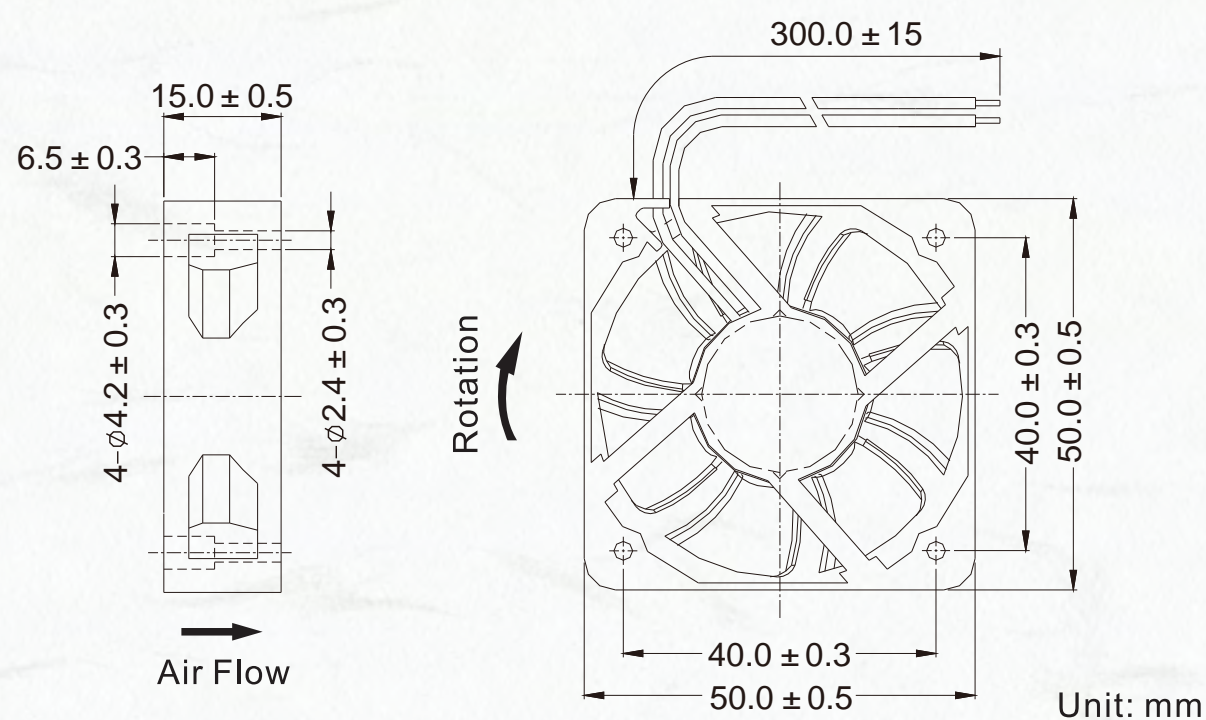
Dimensions Drawing





50 x 50 x 15 mm

Dimensions Drawing



Main Application : Seat Cushion

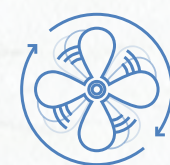
主要應用：汽車座椅



Energy Saving



Waterproof and Dustproof



High Speed

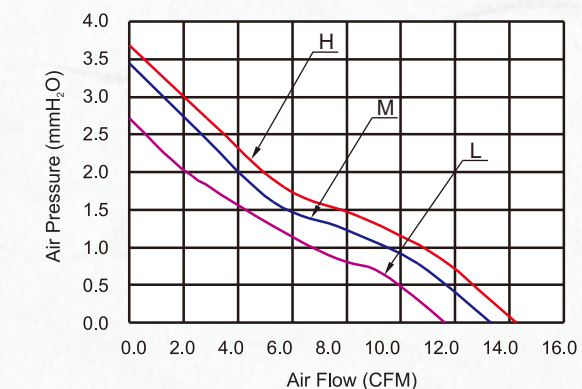


Low Noise

General Specification

- Frame and Impeller : Thermal Plastic , UL 94V-0
- Lead Wires : UL Type
(+) : Red (-) : Black
- Operation Temperature : -10°C~70°C
35%~85%RH
- Storage Temperature : -40°C~80°C
35%~85%RH
-

Performance Curves

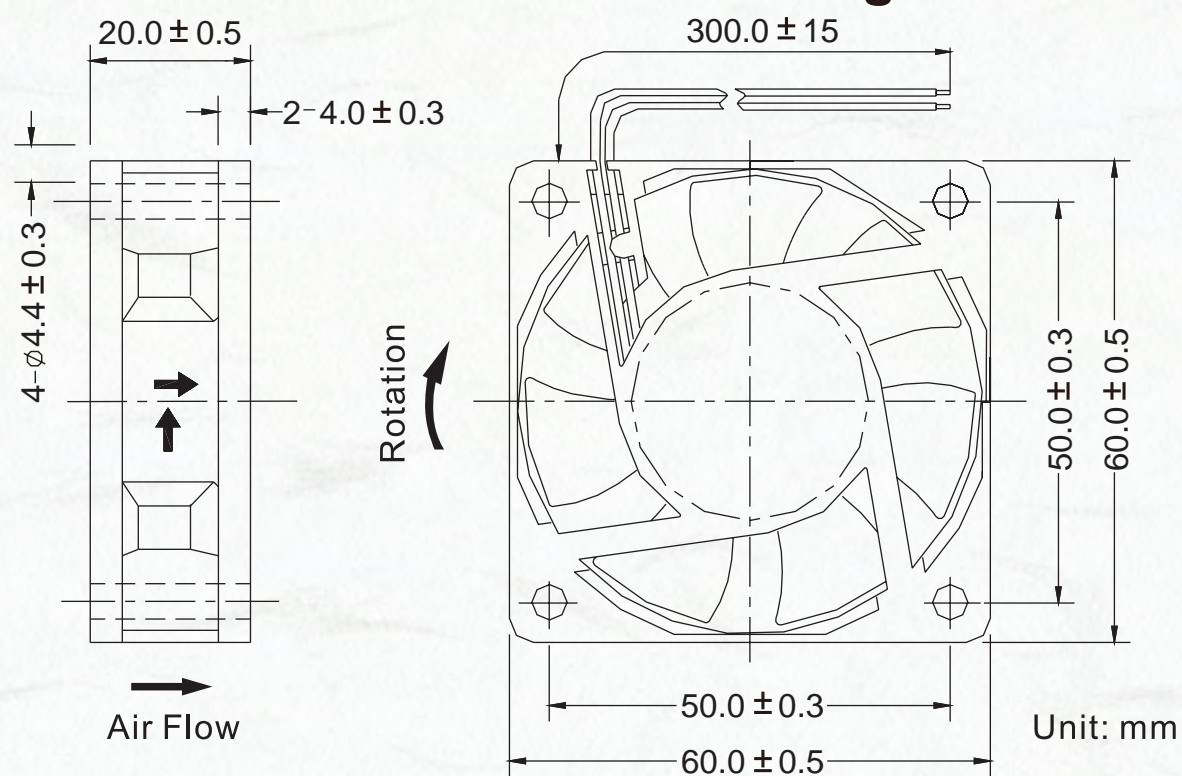


Listed Model	Bearing System	Rated Voltage	Operation Voltage	Rated Current	Rated Speed	Air Flow	Air Pressure	Noise Level	Available Features (Optional)				Weight	
		VDC	VDC	A	RPM	CFM	mmH ₂ O	dBA	Tachometer Output	Rotation Detector	Thermal Control	Pulse Width Modulation	g	
RDH5015S5	Sleeve	5	3.5~5.75	0.33	5,500	14.2	3.6	31	•	•			31	
RDM5015S5			3.5~5.75	0.25	5,000	13.3	3.4	27	•	•				
RDL5015S5			3.5~5.75	0.20	4,500	11.6	2.7	25	•	•				
RDH5015B5			Ball	3.5~5.75	0.33	5,500	14.2	3.6	31	•	•			
RDM5015B5				3.5~5.75	0.25	5,000	13.3	3.4	27	•	•			
RDL5015B5	3.5~5.75	0.20		4,500	11.6	2.7	25	•	•					
RDH5015S	Sleeve	12	6.0~13.8	0.16	5,500	14.2	3.6	31	•	•				
RDM5015S			6.0~13.8	0.14	5,000	13.3	3.4	27	•	•				
RDL5015S			6.0~13.8	0.12	4,500	11.6	2.7	25	•	•				
RDH5015B	Ball		6.0~13.8	0.16	5,500	14.2	3.6	31	•	•				
RDM5015B			6.0~13.8	0.14	5,000	13.3	3.4	27	•	•				
RDL5015B			6.0~13.8	0.12	4,500	11.6	2.7	25	•	•				
RDH5015S2	Sleeve	24	12.0~27.6	0.10	5,500	14.2	3.6	31	•	•				
RDM5015S2			12.0~27.6	0.08	5,000	13.3	3.4	27	•	•				
RDL5015S2			12.0~27.6	0.06	4,500	11.6	2.7	25	•	•				
RDH5015B2			Ball	12.0~27.6	0.10	5,500	14.2	3.6	31	•	•			
RDM5015B2				12.0~27.6	0.08	5,000	13.3	3.4	27	•	•			
RDL5015B2				12.0~27.6	0.06	4,500	11.6	2.7	25	•	•			



60 x 60 x 20 mm

Dimensions Drawing



Main Application : Seat Cushion

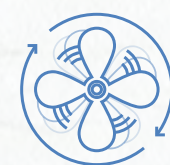
主要應用：汽車座椅



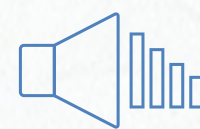
Energy Saving



Waterproof and Dustproof



High Speed



Low Noise

General Specification

Frame and Impeller : Thermal Plastic , UL 94V-0

Lead Wires : UL Type

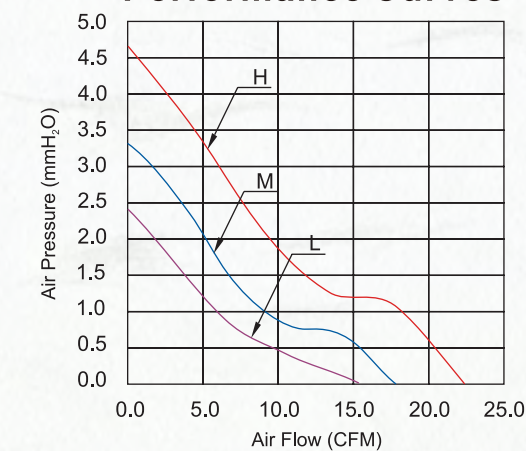
(+) : Red (-) : Black

Operation Temperature : -10°C~70°C
35%~85%RH

Storage Temperature : -40°C~80°C
35%~85%RH



Performance Curves

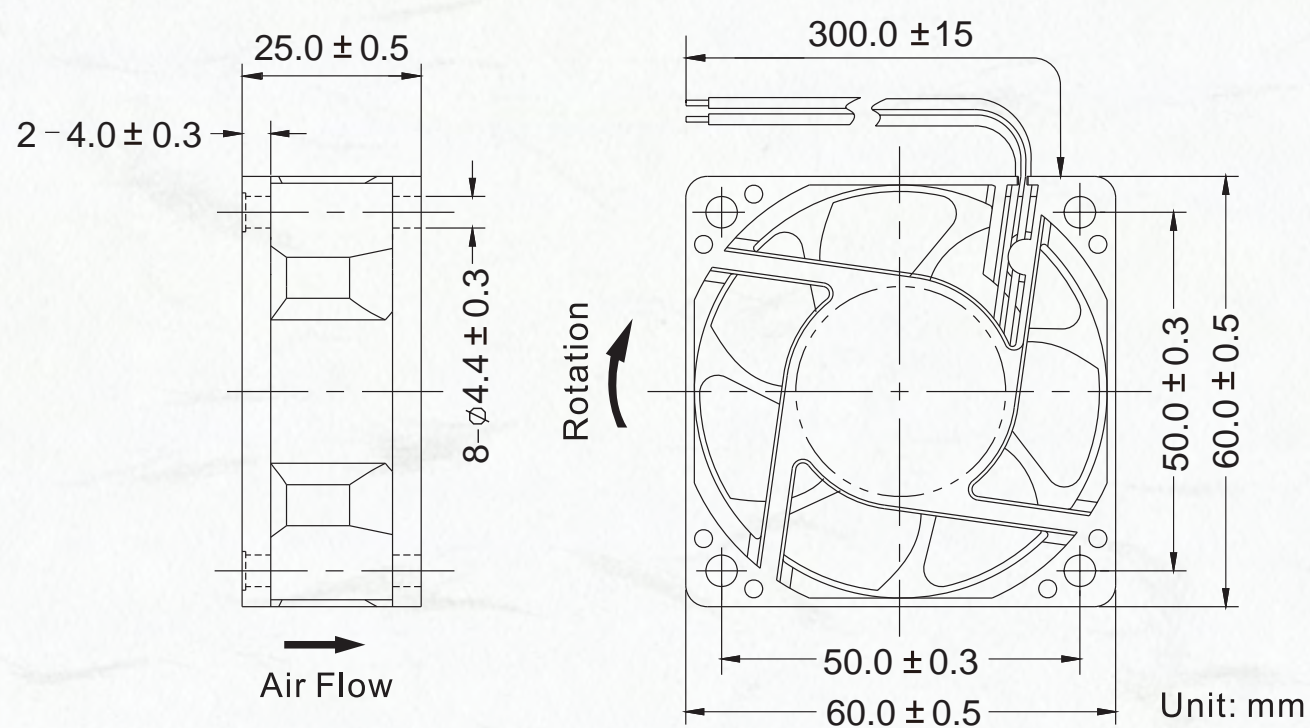


Listed Model	Bearing System	Rated Voltage	Operation Voltage	Rated Current	Rated Speed	Air Flow	Air Pressure	Noise Level	Available Features (Optional)				Weight	
		VDC	VDC	A	RPM	CFM	mmH ₂ O	dBA	Tachometer Output	Rotation Detector	Thermal Control	Pulse Width Modulation	g	
RDH6020S	Sleeve	12	6.0~13.8	0.16	4,200	22.3	4.7	35	•	•	•	•	50	
RDM6020S			6.0~13.8	0.12	3,500	18.5	3.3	29	•	•	•	•		
RDL6020S			6.0~13.8	0.08	3,000	15.7	2.4	26	•	•	•	•		
RDH6020B			Ball	6.0~13.8	0.16	4,200	22.3	4.7	35	•	•	•		•
RDM6020B				6.0~13.8	0.12	3,500	18.5	3.3	29	•	•	•		•
RDL6020B				6.0~13.8	0.08	3,000	15.7	2.4	26	•	•	•		•
RDH6020S2	Sleeve	24		12.0~27.6	0.13	4,200	22.3	4.7	35	•	•			
RDM6020S2			12.0~27.6	0.10	3,500	18.5	3.3	29	•	•				
RDL6020S2			12.0~27.6	0.08	3,000	15.7	2.4	26	•	•				
RDH6020B2			Ball	12.0~27.6	0.13	4,200	22.3	4.7	35	•	•			
RDM6020B2				12.0~27.6	0.10	3,500	18.5	3.3	29	•	•			
RDL6020B2				12.0~27.6	0.08	3,000	15.7	2.4	26	•	•			



60 x 60 x 25 mm

Dimensions Drawing



Main Application : Seat Cushion

主要應用：汽車座椅



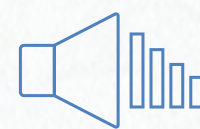
Energy Saving



Waterproof and Dustproof



High Speed

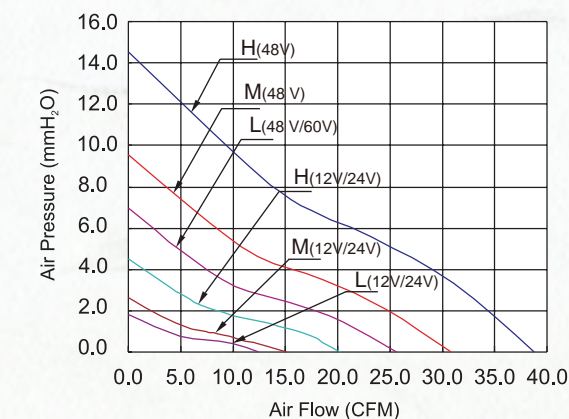


Low Noise

General Specification

- Frame and Impeller : Thermal Plastic , UL 94V-0
- Lead Wires : UL Type
(+) : Red (-) : Black
- Operation Temperature : -10°C~70°C
35%~85%RH
- Storage Temperature : -40°C~80°C
35%~85%RH
- UL (12V 24V 48V) CE (60V)

Performance Curves

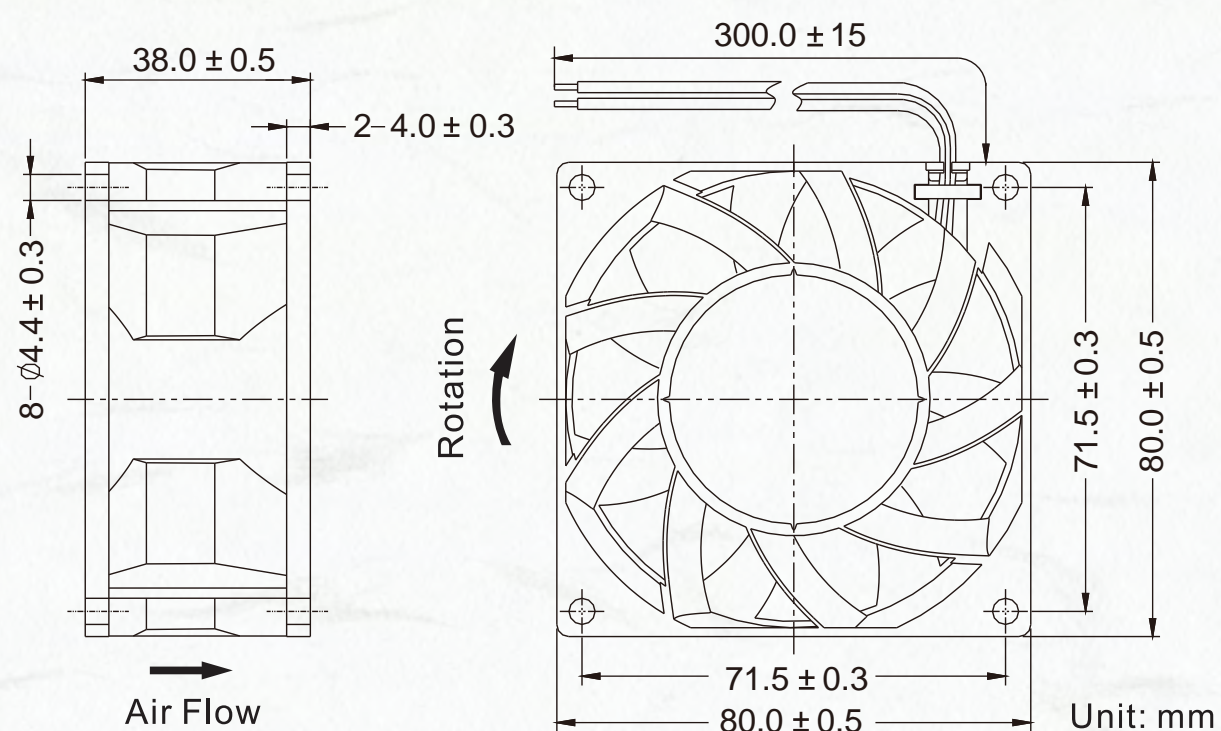


Listed Model	Bearing System	Rated Voltage	Operation Voltage	Rated Current	Rated Speed	Air Flow	Air Pressure	Noise Level	Available Features (Optional)				Weight	
		VDC	VDC	A	RPM	CFM	mmH ₂ O	dBA	Tachometer Output	Rotation Detector	Thermal Control	Pulse Width Modulation	g	
RDH6025S	Sleeve	12	6.0~13.8	0.14	4,000	20.3	4.5	29	•	•	•	•	62	
RDM6025S			6.0~13.8	0.10	3,000	15.1	2.6	24	•	•	•	•		
RDL6025S			6.0~13.8	0.07	2,500	12.5	1.8	22	•	•	•	•		
RDH6025B			Ball	6.0~13.8	0.14	4,000	20.3	4.5	29	•	•	•		•
RDM6025B				6.0~13.8	0.10	3,000	15.1	2.6	24	•	•	•		•
RDL6025B				6.0~13.8	0.07	2,500	12.5	1.8	22	•	•	•		•
RDH6025S2	Sleeve	24	12.0~27.6	0.14	4,000	20.3	4.5	29	•	•	•	•	62	
RDM6025S2			12.0~27.6	0.10	3,000	15.1	2.6	24	•	•	•	•		
RDL6025S2			12.0~27.6	0.09	2,500	12.5	1.8	22	•	•	•	•		
RDH6025B2			Ball	12.0~27.6	0.14	4,000	20.3	4.5	29	•	•	•		•
RDM6025B2				12.0~27.6	0.10	3,000	15.1	2.6	24	•	•	•		•
RDL6025B2				12.0~27.6	0.09	2,500	12.5	1.8	22	•	•	•		•
RDH6025S4	Sleeve	48	24.0~55.2	0.18	7,500	38.8	14.5	47	•	•	•	•	62	
RDM6025S4			24.0~55.2	0.12	6,000	30.9	9.6	40	•	•	•	•		
RDL6025S4			24.0~55.2	0.10	5,000	25.6	7.0	37	•	•	•	•		
RDH6025B4			Ball	24.0~55.2	0.18	7,500	38.8	14.5	47	•	•	•		•
RDM6025B4				24.0~55.2	0.12	6,000	30.9	9.6	40	•	•	•		•
RDL6025B4				24.0~55.2	0.10	5,000	25.6	7.0	37	•	•	•		•
RDL6025B6	Ball	60	36.0~72.0	0.20	5,000	25.6	7.0	37	•	•	•	•		



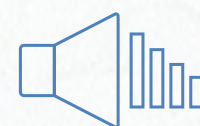
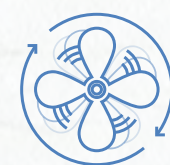
80 x 80 x 38 mm

Dimensions Drawing



Main Application : Electric Vehicle Charger

主要應用：車用充電樁



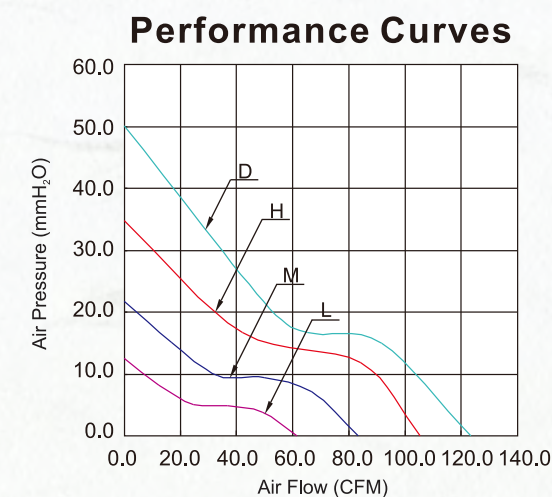
Energy Saving

Waterproof and Dustproof

High Speed

Low Noise

- General Specification
- Frame and Impeller : Thermal Plastic , UL 94V-0
- Lead Wires : UL Type
(+) : Red (-) : Black
- Operation Temperature : -10°C~70°C
35%~85%RH
- Storage Temperature : -40°C~80°C
35%~85%RH
-



Listed Model	Bearing System	Rated Voltage	Operation Voltage	Rated Current	Rated Speed	Air Flow	Air Pressure	Noise Level	Available Features (Optional)				Weight
		VDC	VDC	A	RPM	CFM	mmH ₂ O	dBA	Tachometer Output	Rotation Detector	Thermal Control	Pulse Width Modulation	g
RGD8038B1	Ball	12	6.0~13.8	2.80	9,000	123.3	50.0	67	•	•		•	180
RGH8038B1			6.0~13.8	1.55	7,500	105.2	34.8	63	•	•		•	
RGM8038B1			6.0~13.8	0.85	6,000	83.4	21.8	57	•	•		•	
RGL8038B1			6.0~13.8	0.45	4,500	61.5	12.4	49	•	•		•	
RGD8038B2	Ball	24	12.0~27.6	1.40	9,000	123.3	50.0	67	•	•		•	180
RGH8038B2			12.0~27.6	0.78	7,500	105.2	34.8	63	•	•		•	
RGM8038B2			12.0~27.6	0.45	6,000	83.4	21.8	57	•	•		•	
RGL8038B2			12.0~27.6	0.25	4,500	61.5	12.4	49	•	•		•	
RGD8038B4	Ball	48	24.0~55.2	0.75	9,000	123.3	50.0	67	•	•		•	180
RGH8038B4			24.0~55.2	0.45	7,500	105.2	34.8	63	•	•		•	
RGM8038B4			24.0~55.2	0.28	6,000	83.4	21.8	57	•	•		•	
RGL8038B4			24.0~55.2	0.18	4,500	61.5	12.4	49	•	•		•	



Main Application : Electric Vehicle Charger

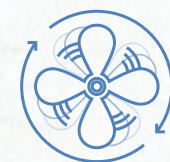
主要應用：車用充電樁



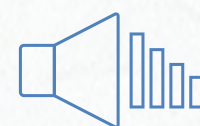
Energy Saving



Waterproof and Dustproof



High Speed

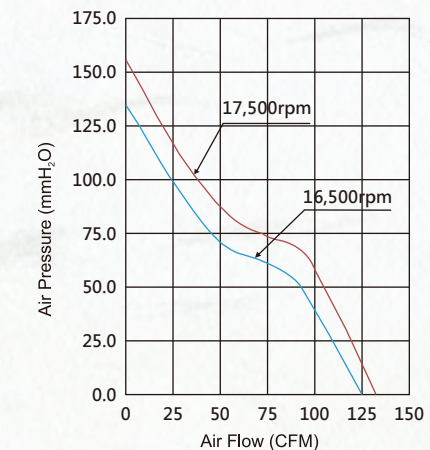


Low Noise

General Specification

- Frame and Impeller : Thermal Plastic , UL 94V-0
- Lead Wires : UL Type
(+) : Red (-) : Black
- Operation Temperature : -10°C~70°C
35%~85%RH
- Storage Temperature : -40°C~80°C
35%~85%RH

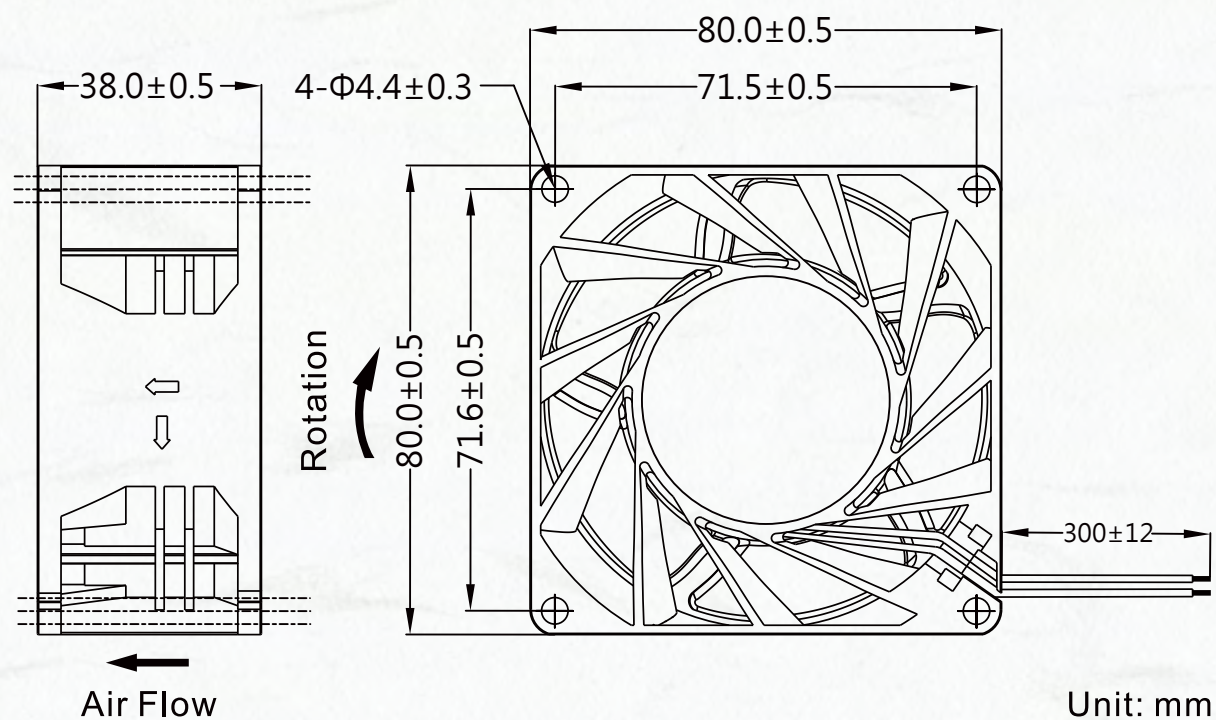
Performance Curves



Listed Model	Bearing System	Rated Voltage	Operation Voltage	Rated Current	Rated Speed	Air Flow	Air Pressure	Noise Level	Available Features (Optional)				Weight
		VDC	VDC	A	RPM	CFM	mmH ₂ O	dBA	Tachometer Output	Rotation Detector	Thermal Control	Pulse Width Modulation	g
RGV8038B1	Ball	12	6.0~13.8	3.3	16,500	125	134	73.0	•	•		•	180
				3.9	17,500	132	155	73.5	•	•		•	

80 x 80 x 38 mm

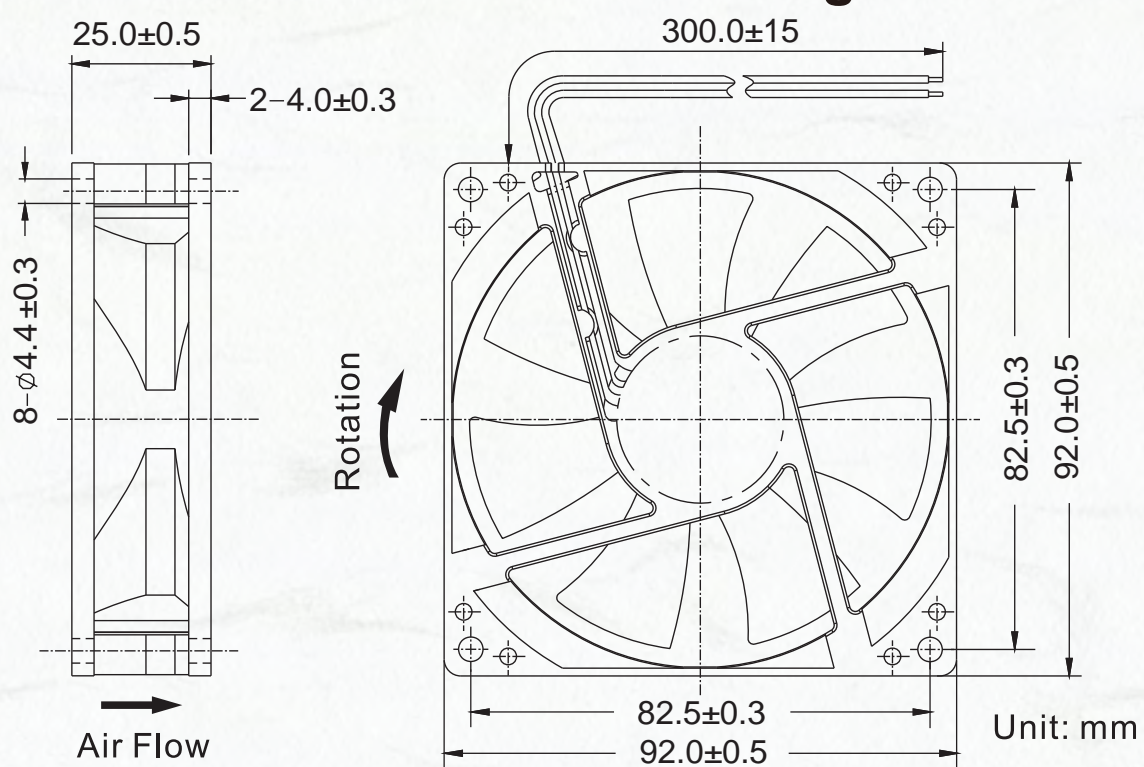
Dimensions Drawing





92 x 92 x 25 mm

Dimensions Drawing



Main Application : Car Refrigerator

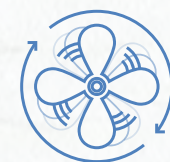
主要應用：車用冰箱



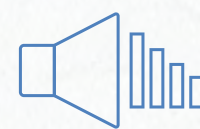
Energy Saving



Waterproof and Dustproof



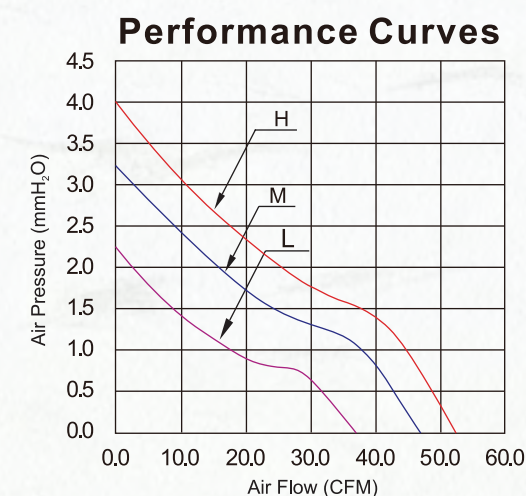
High Speed



Low Noise

General Specification

- Frame and Impeller : Thermal Plastic , UL 94V-0
- Lead Wires : UL Type
(+) : Red (-) : Black
- Operation Temperature : -10°C~70°C
35%~85%RH
- Storage Temperature : -40°C~80°C
35%~85%RH
-



Listed Model	Bearing System	Rated Voltage	Operation Voltage	Rated Current	Rated Speed	Air Flow	Air Pressure	Noise Level	Available Features (Optional)				Weight	
		VDC	VDC	A	RPM	CFM	mmH ₂ O	dBA	Tachometer Output	Rotation Detector	Thermal Control	Pulse Width Modulation	g	
RDH9025S	Sleeve	12	6.0~13.8	0.23	2,800	52.3	4.0	37	•	•	•	•	85	
RDM9025S			6.0~13.8	0.19	2,500	47.0	3.2	34	•	•	•	•		
RDL9025S			6.0~13.8	0.16	2,000	37.1	2.3	29	•	•	•	•		
RDH9025B			6.0~13.8	0.23	2,800	52.3	4.0	37	•	•	•	•		
RDM9025B	Ball		6.0~13.8	0.19	2,500	47.0	3.2	34	•	•	•	•		
RDL9025B			6.0~13.8	0.16	2,000	37.1	2.3	29	•	•	•	•		
RDH9025S2	Sleeve		24	12.0~27.6	0.22	2,800	52.3	4.0	37	•	•	•		•
RDM9025S2				12.0~27.6	0.18	2,500	47.0	3.2	34	•	•	•		•
RDL9025S2		12.0~27.6		0.15	2,000	37.1	2.3	29	•	•	•	•		
RDH9025B2	Ball	12.0~27.6		0.22	2,800	52.3	4.0	37	•	•	•	•		
RDM9025B2		12.0~27.6		0.18	2,500	47.0	3.2	34	•	•	•	•		
RDL9025B2		12.0~27.6		0.15	2,000	37.1	2.3	29	•	•	•	•		



Main Application : Electric Vehicle Charger

主要應用：車用充電樁

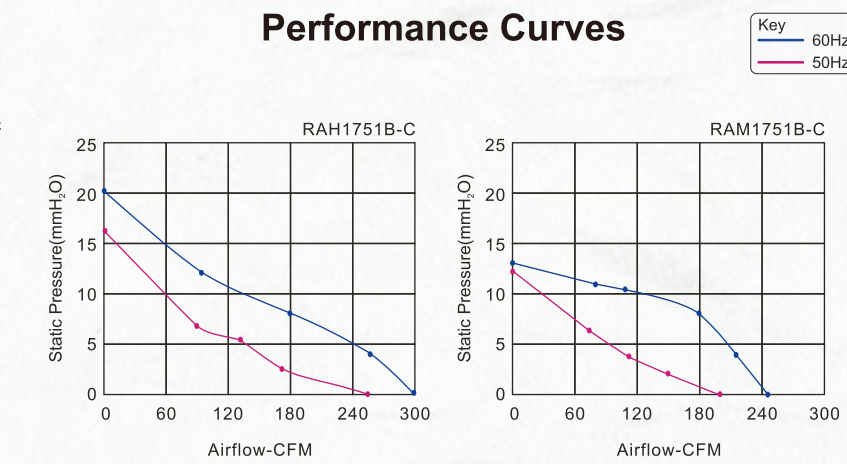
 Energy Saving
  Waterproof and Dustproof
  High Speed
  Low Noise

General Specification

- Impeller : PBT UL94V-0 Reinforced Plastic
- Frame : Aluminum Alloy
- Terminals : 0.5mm
- Lead Wire : AWG#22 UL 1015(Optional)
- Motor : Capacitor-Run Induction Motor
- Operation Temperature : -10°C~+65°C
35%~85%RH
- Storage Temperature : -40°C~75°C
35%~85%RH

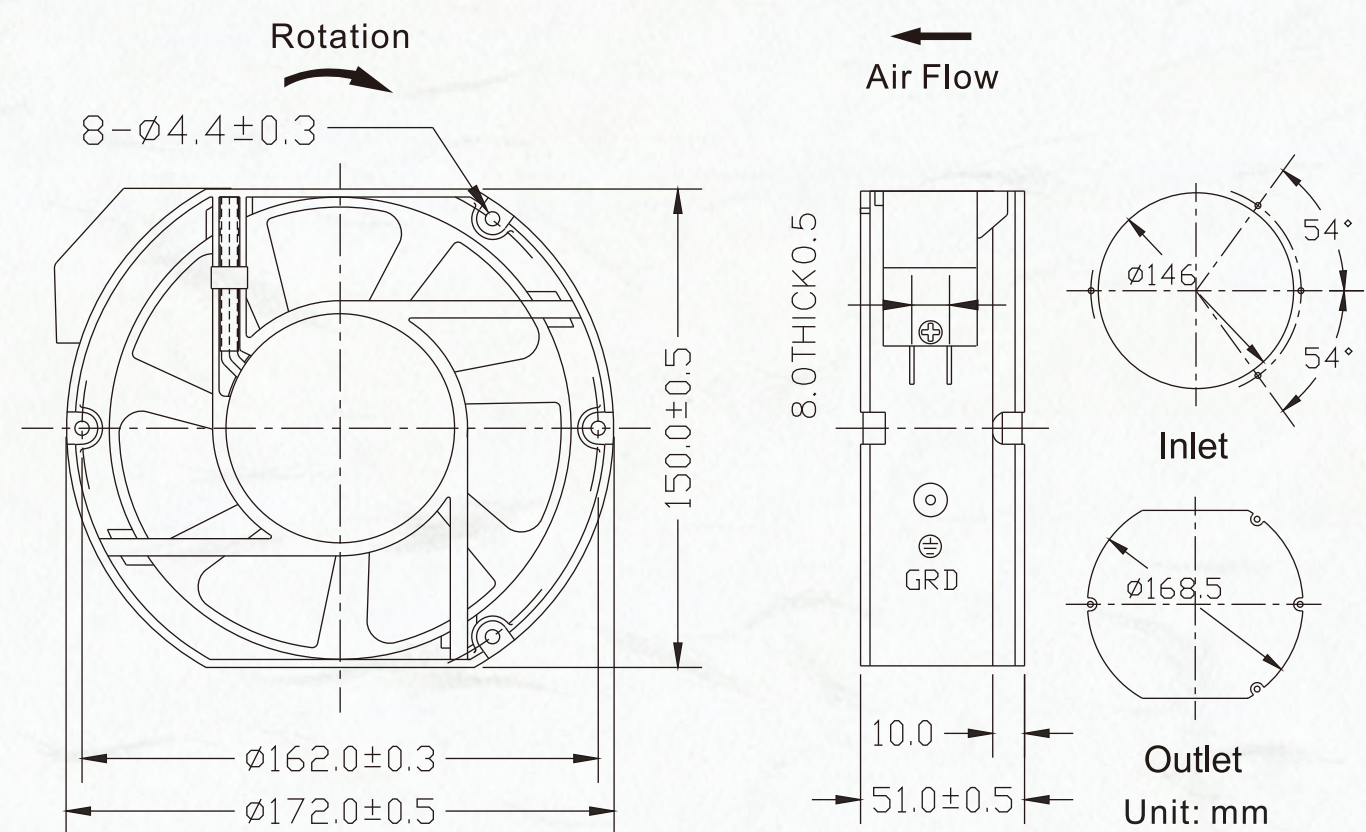


Performance Curves



172 x 150 x 51 mm

Dimensions Drawing



Model	Bearing System	Voltage VAC	Freq. Hz	Current A	Power W	Speed RPM	Noise dBA	Air Flow		Static Pressure (mmH ₂ O)	Weight Gram
								M ³ /hr	CFM		
RAH1751B1-C	Ball	220~240	50/60	0.20/0.22	46/50	2850/3300	56/61	425/498	250/293	16.0/20.0	970
RAM1751B1-C		220~240	50/60	0.14/0.15	42/43	2500/2800	53/55	357/417	210/245	12.0/12.0	
RAH1751B2-C		100~125	50/60	0.35/0.40	46/50	2850/3300	56/61	425/498	250/293	16.0/20.0	
RAM1751B2-C		100~125	50/60	0.26/0.29	39/40	2500/2800	53/55	357/417	210/245	12.0/13.0	
RAH1751B1-C1	Ball	220~240	50/60	0.20/0.22	46/50	2850/3300	56/61	425/498	250/293	16.0/20.0	
RAM1751B1-C1		220~240	50/60	0.14/0.15	42/43	2500/2800	53/55	357/417	210/245	12.0/12.0	
RAH1751B2-C1		100~125	50/60	0.35/0.40	46/50	2850/3300	56/61	425/498	250/293	16.0/20.0	
RAM1751B2-C1		100~125	50/60	0.26/0.29	39/40	2500/2800	53/55	357/417	210/245	12.0/13.0	



Ø 222 x 60 mm

Main Application : Electric Vehicle Charger

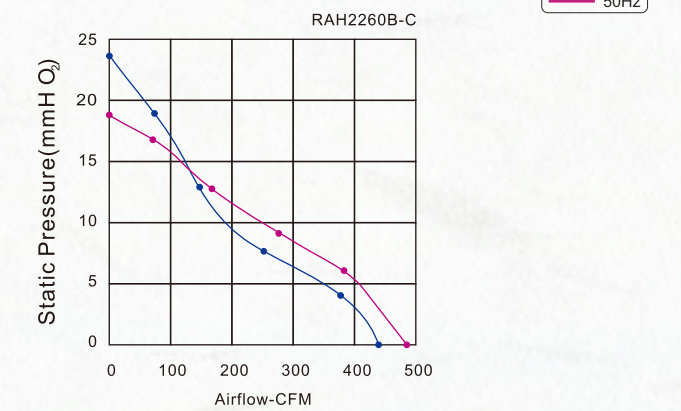
主要應用：車用充電樁

Energy Saving
 Waterproof and Dustproof
 High Speed
 Low Noise

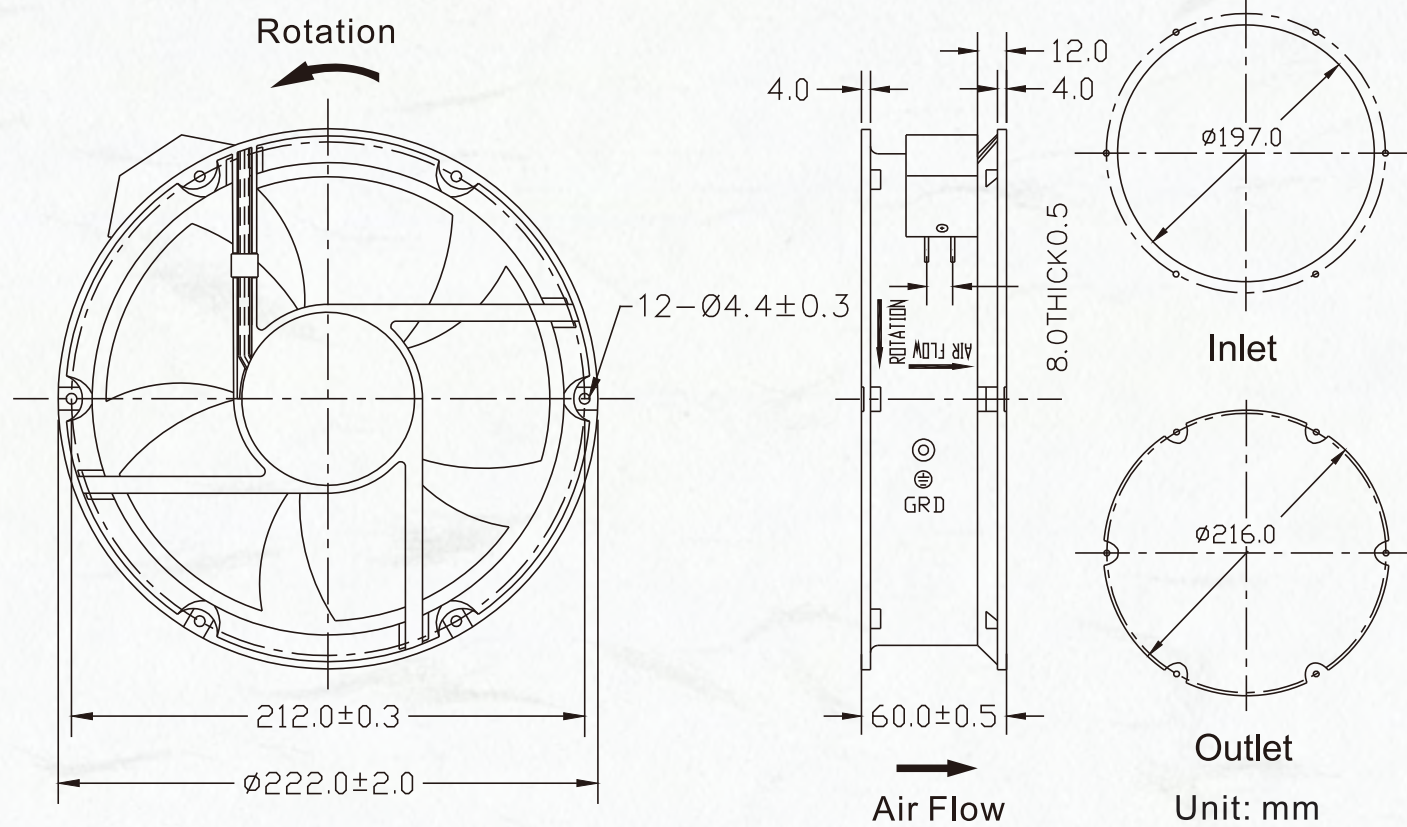
General Specification

- Impeller : PBT UL94V-0 Reinforced Plastic
- Frame : Aluminum Alloy
- Terminals : 0.5mm
- Lead Wire : AWG#22 UL 1015(Optional)
- Motor : Capacitor-Run Induction Motor
- Operation Temperature : -10°C~+65°C
35%~85%RH
- Storage Temperature : -40°C~75°C
35%~85%RH
- (220~240V)
- (100~125V)

Performance Curves



Dimensions Drawing



Model	Bearing System	Voltage VAC	Freq. Hz	Current A	Power W	Speed RPM	Noise dBA	Air Flow		Static Pressure (mmH ₂ O)	Weight Gram
								M ³ /hr	CFM		
RAH2260B1-C	Ball	220~240	50/60	0.25/0.26	50/60	2800/3200	59/62	730/824	430/485	24/18	1540
RAH2260B2-C		100~125	50/60	0.42/0.46	50/56	2800/3200	59/62	730/824	430/485	24/18	

Company Location

服務據點



Head Office



Sales Office



Factory

