

Vending Machine



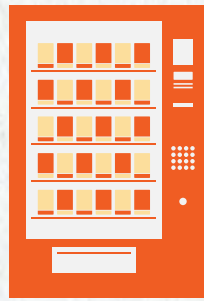
自動販賣設備



info@x-fan.com

TEL : +886-7-2692559

FAX : +886-7-2692590



Vending Machine

自動販賣設備

※Please do not hesitate to let us know if any customization request.
本公司亦提供客製化服務，若有其他需求歡迎聯絡我們。

Water Dispenser 飲水機

DC/AC Axial Fan : 92x25/120x38 mm



Self-ordering Kiosks 自助點餐機

DC Axial Fan : 120x25 mm



Vending Machine 自動販賣機

DC/AC Axial Fan : 92x25/120x38 mm



ATM

DC Axial Fan : 60x15/80x38 mm



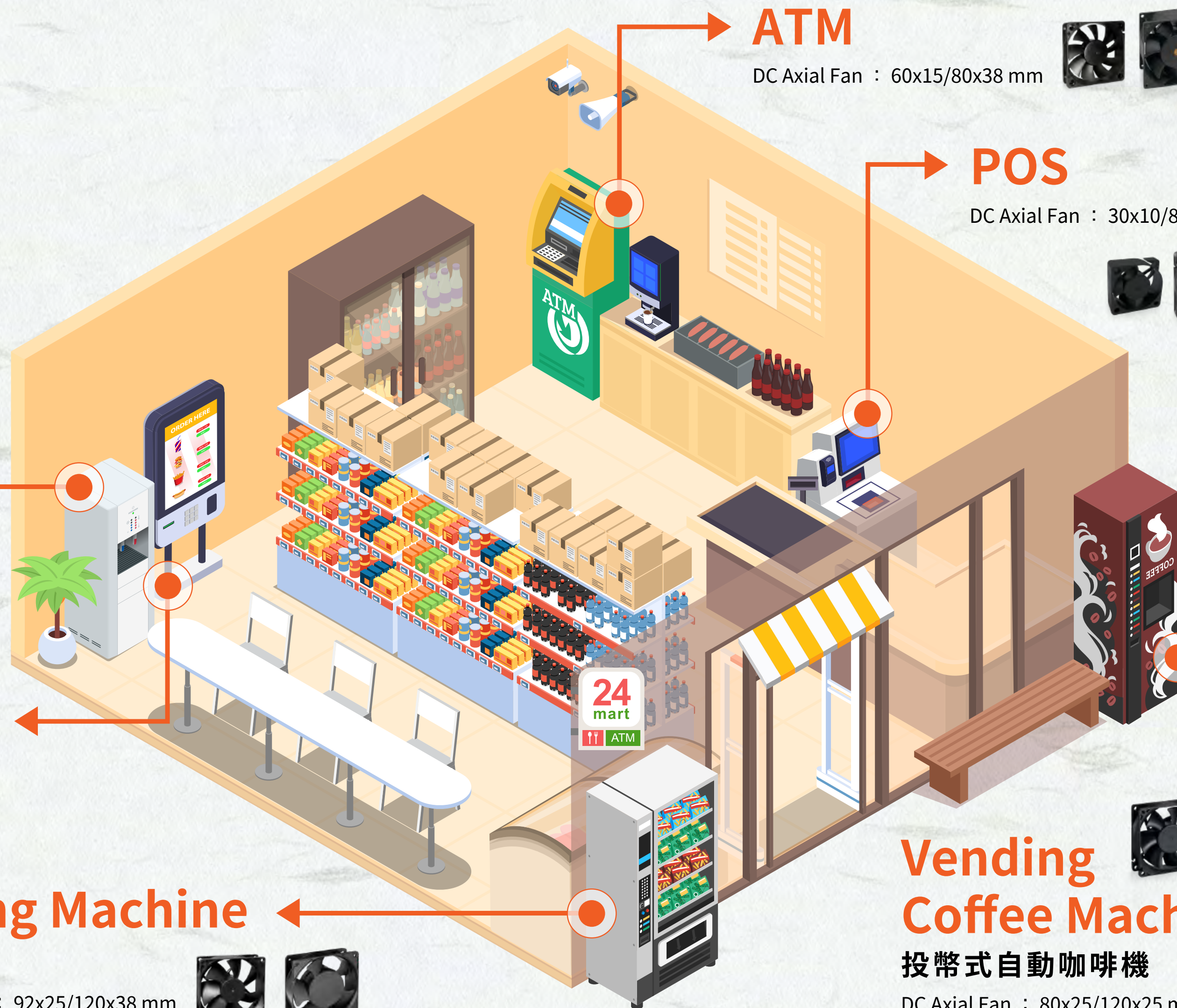
POS

DC Axial Fan : 30x10/80x10/80x25 mm



Vending Coffee Machine 投幣式自動咖啡機

DC Axial Fan : 80x25/120x25 mm



Contents 目錄

✿ Axial Fan



04 | **DC_3010**

05 | **DC_6015**

06 | **DC_8010**

07 | **DC_8025**

08 | **DC_8038**

09 | **DC_8038(V)**

10 | **DC_9025**

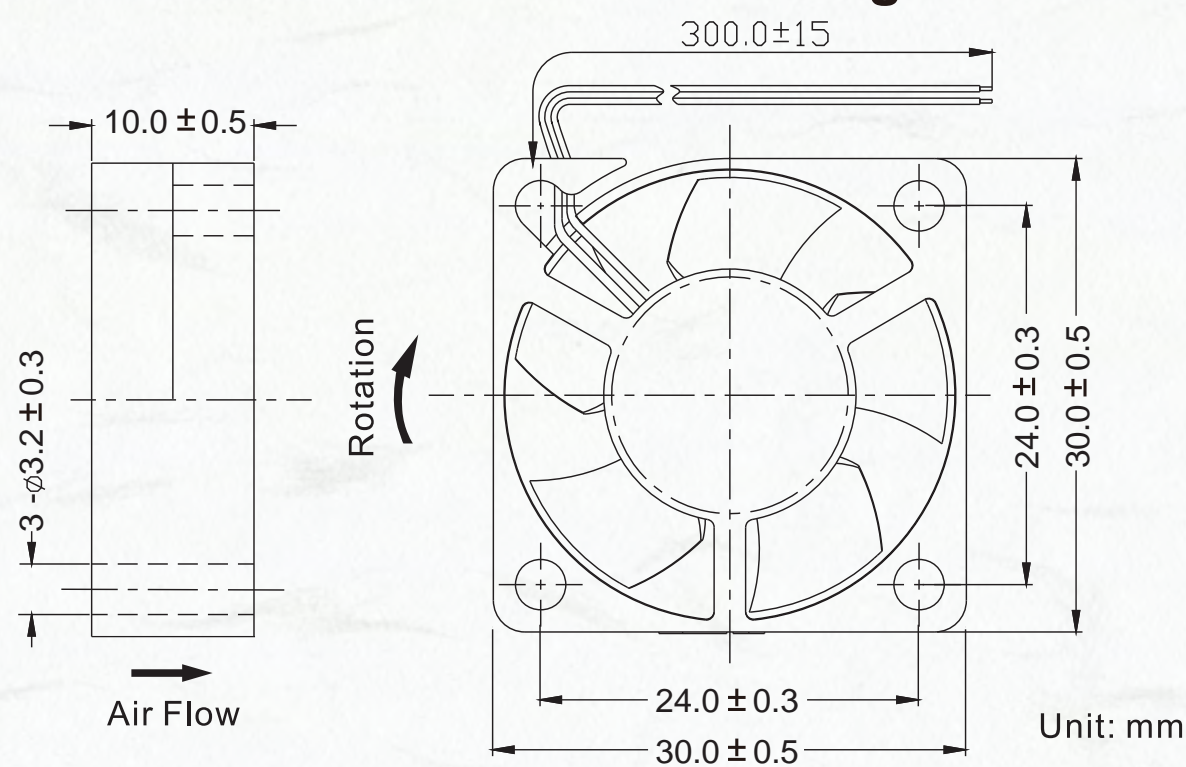
11 | **DC_1225**

12 | **AC_1238**



30 x 30 x 10 mm

Dimensions Drawing



Main Application : POS

主要應用：POS



Energy Saving

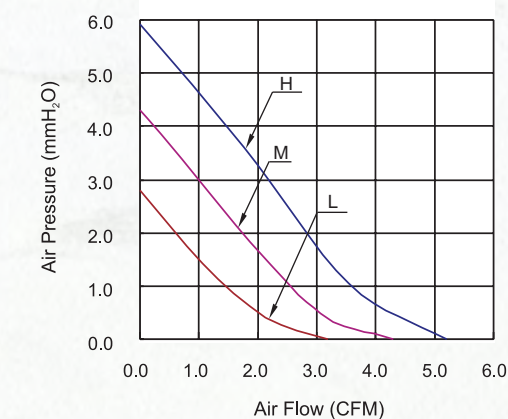


Low Noise

General Specification

- Frame and Impeller : Thermal Plastic , UL 94V-0
- Lead Wires : UL Type
(+) : Red (-) : Black
- Operation Temperature : -10°C~70°C
35%~85%RH
- Storage Temperature : -40°C~80°C
35%~85%RH
-

Performance Curves

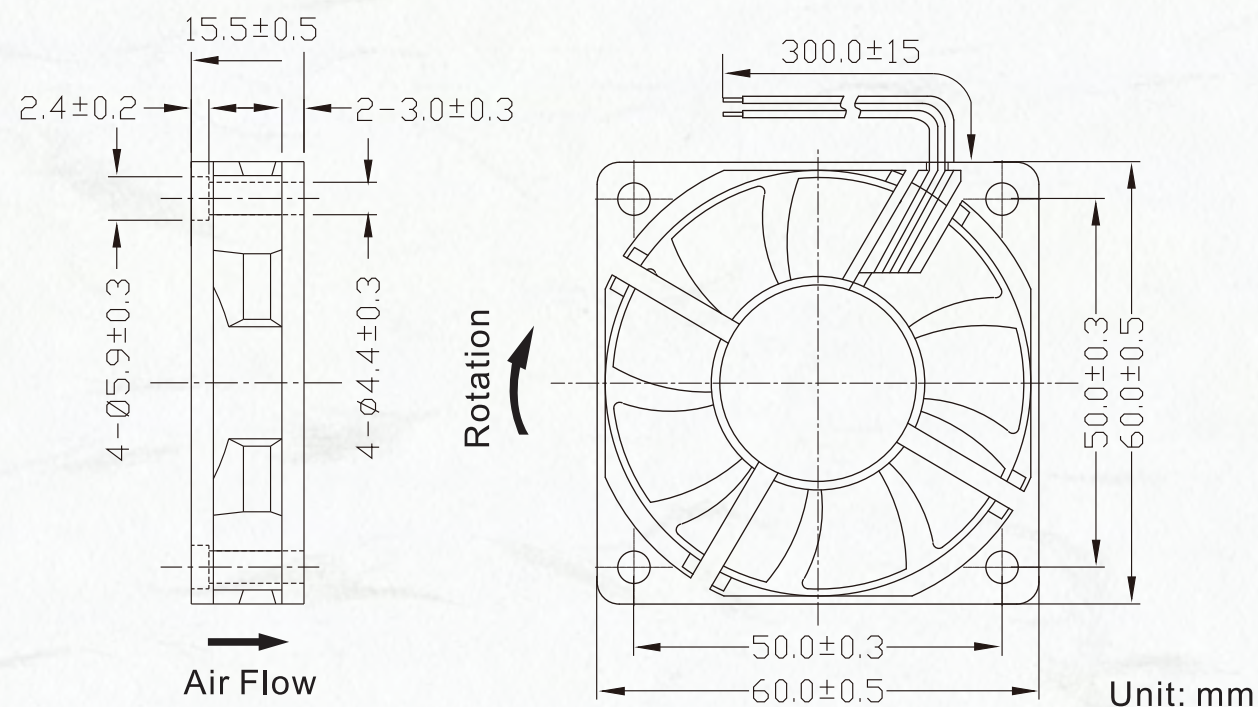


Listed Model	Bearing System	Rated Voltage	Operation Voltage	Rated Current	Rated Speed	Air Flow	Air Pressure	Noise Level	Available Features (Optional)				Weight	
		VDC	VDC	A	RPM	CFM	mmH ₂ O	dBA	Tachometer Output	Rotation Detector	Thermal Control	Pulse Width Modulation	g	
RDH3010S5	Sleeve	5	4.0~5.75	0.20	11,000	5.2	5.9	32	•	•			8.5	
RDM3010S5			4.0~5.75	0.14	9,000	4.3	4.3	27	•	•				
RDL3010S5			4.0~5.75	0.12	7,000	3.2	2.8	23	•	•				
RDH3010B5			Ball	4.0~5.75	0.20	11,000	5.2	5.9	32	•	•			
RDM3010B5				4.0~5.75	0.14	9,000	4.3	4.3	27	•	•			
RDL3010B5	4.0~5.75	0.12		7,000	3.2	2.8	23	•	•					
RDH3010S	Sleeve	12	6.0~13.8	0.10	11,000	5.2	5.9	32	•	•				
RDM3010S			6.0~13.8	0.09	9,000	4.3	4.3	27	•	•				
RDL3010S			6.0~13.8	0.06	7,000	3.2	2.8	23	•	•				
RDH3010B	Ball	6.0~13.8	0.10	11,000	5.2	5.9	32	•	•					
RDM3010B		6.0~13.8	0.09	9,000	4.3	4.3	27	•	•					
RDL3010B		6.0~13.8	0.06	7,000	3.2	2.8	23	•	•					



60 x 60 x 15 mm

Dimensions Drawing



Main Application : ATM

主要應用 : ATM



Energy Saving

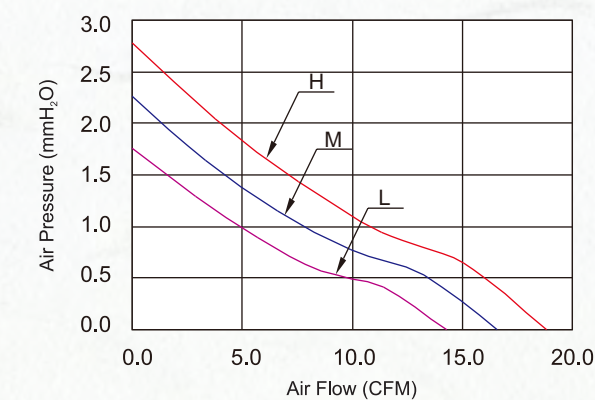


Low Noise

General Specification

- Frame and Impeller : Thermal Plastic , UL 94V-0
- Lead Wires : UL Type
(+) : Red (-) : Black
- Operation Temperature : -10°C~70°C
35%~85%RH
- Storage Temperature : -40°C~80°C
35%~85%RH
- UL (5V 12V) CE (24V) VDE

Performance Curves

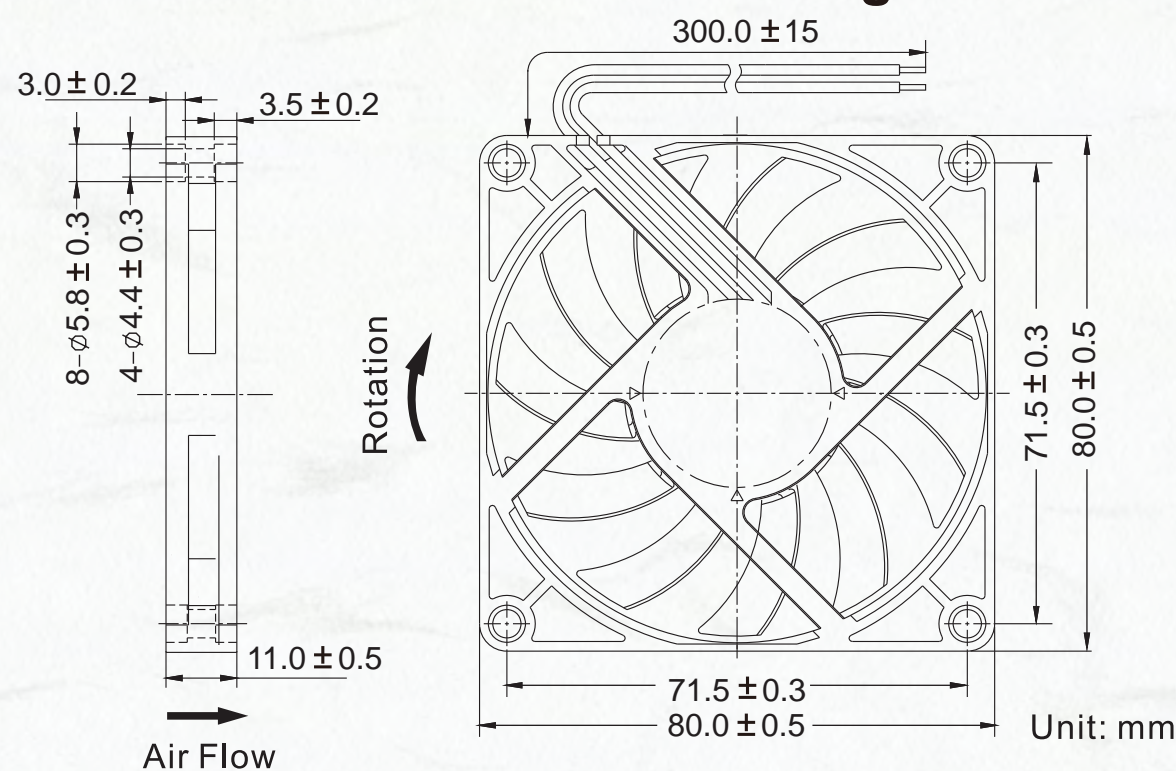


Listed Model	Bearing System	Rated Voltage	Operation Voltage	Rated Current	Rated Speed	Air Flow	Air Pressure	Noise Level	Available Features (Optional)				Weight	
		VDC	VDC	A	RPM	CFM	mmH ₂ O	dBA	Tachometer Output	Rotation Detector	Thermal Control	Pulse Width Modulation	g	
RDH6015S5	Sleeve	5	3.5~5.75	0.40	4,500	18.8	2.8	32	•	•			34	
RDM6015S5			3.5~5.75	0.25	4,000	16.6	2.3	30	•	•				
RDL6015S5			3.5~5.75	0.15	3,500	14.3	1.8	26	•	•				
RDH6015B5			Ball	3.5~5.75	0.40	4,500	18.8	2.8	32	•	•			
RDM6015B5				3.5~5.75	0.25	4,000	16.6	2.3	30	•	•			
RDL6015B5				3.5~5.75	0.15	3,500	14.3	1.8	26	•	•			
RDH6015S1	Sleeve	12	6.0~13.8	0.17	4,500	18.8	2.8	32	•	•	•	•		
RDM6015S1			6.0~13.8	0.15	4,000	16.6	2.3	30	•	•	•	•		
RDL6015S1			6.0~13.8	0.11	3,500	14.3	1.8	26	•	•	•	•		
RDH6015B1			Ball	6.0~13.8	0.17	4,500	18.8	2.8	32	•	•	•		•
RDM6015B1				6.0~13.8	0.15	4,000	16.6	2.3	30	•	•	•		•
RDL6015B1				6.0~13.8	0.11	3,500	14.3	1.8	26	•	•	•		•
RDH6015S2	Sleeve	24	12.0~27.6	0.15	4,500	18.8	2.8	32	•	•				
RDM6015S2			12.0~27.6	0.10	4,000	16.6	2.3	30	•	•				
RDL6015S2			12.0~27.6	0.08	3,500	14.3	1.8	26	•	•				
RDH6015B2			Ball	12.0~27.6	0.15	4,500	18.8	2.8	32	•	•			
RDM6015B2				12.0~27.6	0.10	4,000	16.6	2.3	30	•	•			
RDL6015B2				12.0~27.6	0.08	3,500	14.3	1.8	26	•	•			



80 x 80 x 10 mm

Dimensions Drawing



Main Application : POS

主要應用 : POS



Energy Saving

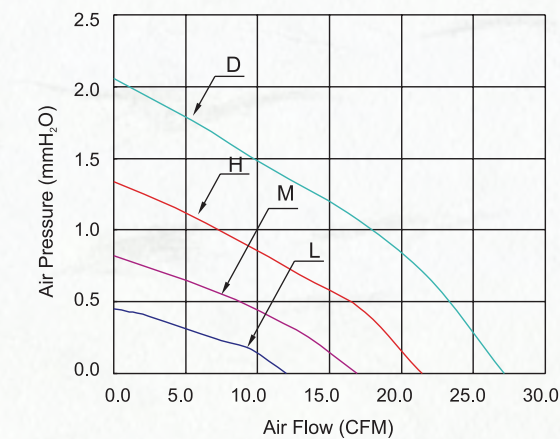


Low Noise

General Specification

- Frame and Impeller : Thermal Plastic , UL 94V-0
- Lead Wires : UL Type
(+) : Red (-) : Black
- Operation Temperature : -10°C~70°C
35%~85%RH
- Storage Temperature : -40°C~80°C
35%~85%RH
-

Performance Curves

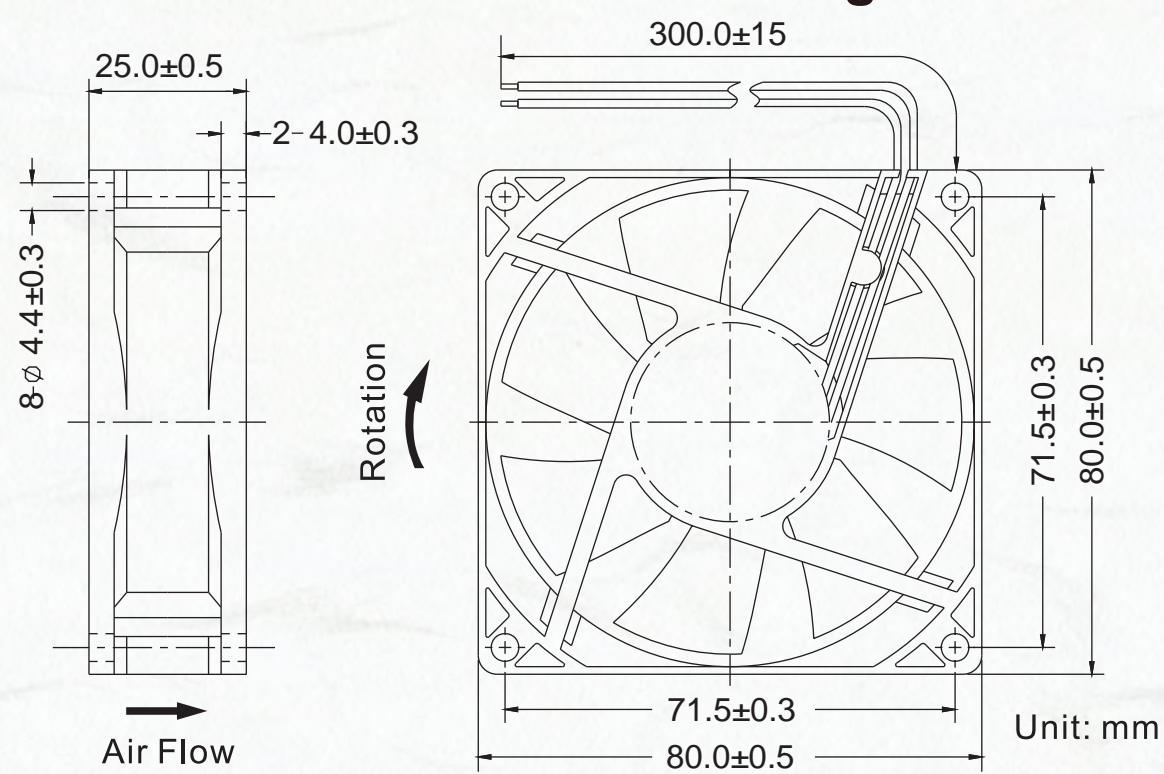


Listed Model	Bearing System	Rated Voltage	Operation Voltage	Rated Current	Rated Speed	Air Flow	Air Pressure	Noise Level	Available Features (Optional)				Weight	
		VDC	VDC	A	RPM	CFM	mmH ₂ O	dBA	Tachometer Output	Rotation Detector	Thermal Control	Pulse Width Modulation	g	
RDD8010S5	Sleeve	5	3.5~5.75	0.35	3,000	27.1	2.0	33	•	•		•	38.5	
RDH8010S5			3.5~5.75	0.23	2,500	21.4	1.3	28	•	•		•		
RDM8010S5			3.5~5.75	0.15	2,000	16.9	0.8	23	•	•		•		
RDL8010S5			3.5~5.75	0.10	1,500	12.0	0.4	20	•	•		•		
RDD8010B5	Ball		3.5~5.75	0.35	3,000	27.1	2.0	33	•	•		•		
RDH8010B5			3.5~5.75	0.23	2,500	21.4	1.3	28	•	•		•		
RDM8010B5			3.5~5.75	0.15	2,000	16.9	0.8	23	•	•		•		
RDL8010B5			3.5~5.75	0.10	1,500	12.0	0.4	20	•	•		•		
RDD8010S1	Sleeve		12	6.0~13.8	0.22	3,000	27.1	2.0	33	•	•			•
RDH8010S1				6.0~13.8	0.16	2,500	21.4	1.3	28	•	•			•
RDM8010S1				6.0~13.8	0.12	2,000	16.9	0.8	23	•	•			•
RDL8010S1				6.0~13.8	0.08	1,500	12.0	0.4	20	•	•			•
RDD8010B1	Ball	6.0~13.8		0.22	3,000	27.1	2.0	33	•	•		•		
RDH8010B1		6.0~13.8		0.16	2,500	21.4	1.3	28	•	•		•		
RDM8010B1		6.0~13.8		0.12	2,000	16.9	0.8	23	•	•		•		
RDL8010B1		6.0~13.8		0.08	1,500	12.0	0.4	20	•	•		•		



80 x 80 x 25 mm

Dimensions Drawing



Main Application : Vending Coffee Machine/POS

主要應用：投幣式自動咖啡機/POS



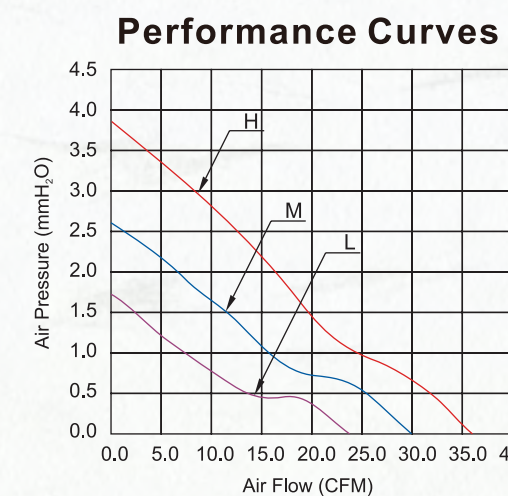
Energy Saving



Low Noise

General Specification

- Frame and Impeller : Thermal Plastic , UL 94V-0
- Lead Wires : UL Type
(+) : Red (-) : Black
- Operation Temperature : -10°C~70°C
35%~85%RH
- Storage Temperature : -40°C~80°C
35%~85%RH
- UL US CE

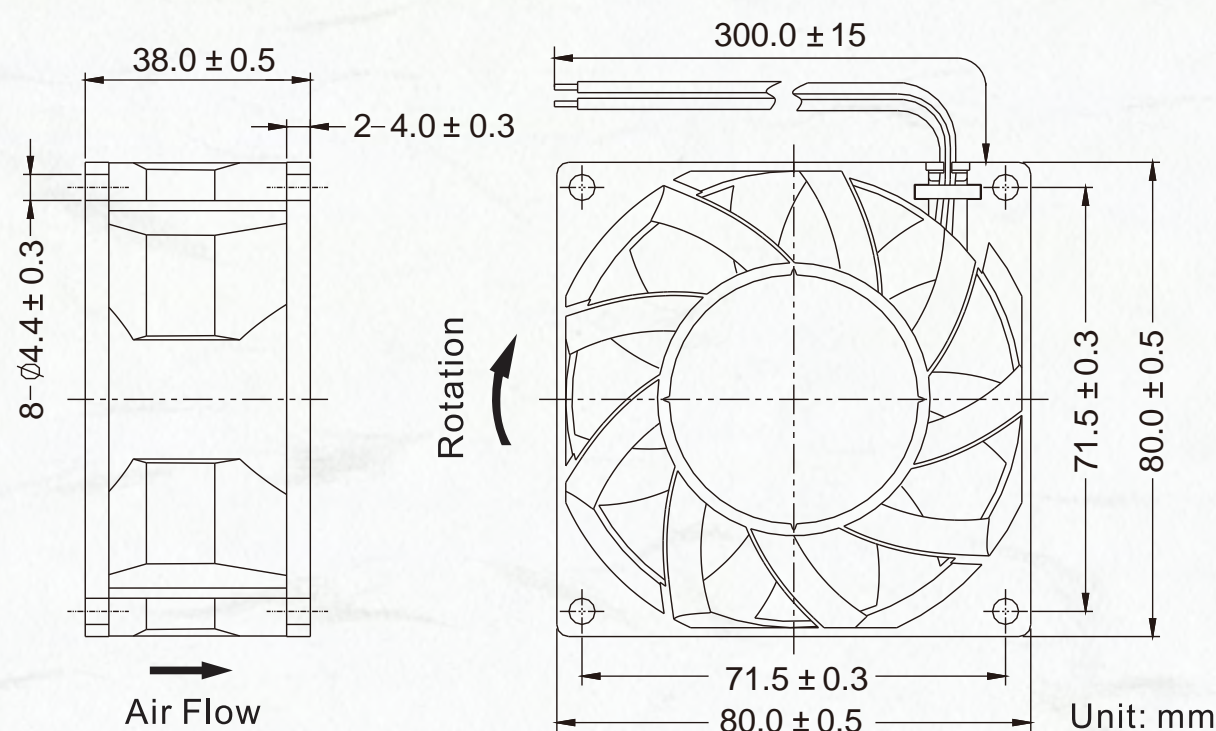


Listed Model	Bearing System	Rated Voltage	Operation Voltage	Rated Current	Rated Speed	Air Flow	Air Pressure	Noise Level	Available Features (Optional)				Weight	
		VDC	VDC	A	RPM	CFM	mmH ₂ O	dBA	Tachometer Output	Rotation Detector	Thermal Control	Pulse Width Modulation	g	
RDH8025S5	Sleeve	5	3.5~5.75	0.40	3,000	35.7	3.8	33	•	•			76	
RDM8025S5			3.5~5.75	0.28	2,500	29.5	2.6	29	•	•				
RDL8025S5			3.5~5.75	0.22	2,000	23.5	1.7	24	•	•				
RDH8025B5			Ball	3.5~5.75	0.40	3,000	35.7	3.8	33	•	•			
RDM8025B5				3.5~5.75	0.28	2,500	29.5	2.6	29	•	•			
RDL8025B5				3.5~5.75	0.22	2,000	23.5	1.7	24	•	•			
RDH8025S	Sleeve	12	6.0~13.8	0.17	3,000	35.7	3.8	33	•	•	•	•		
RDM8025S			6.0~13.8	0.11	2,500	29.5	2.6	29	•	•	•	•		
RDL8025S			6.0~13.8	0.08	2,000	23.5	1.7	24	•	•	•	•		
RDH8025B			Ball	6.0~13.8	0.17	3,000	35.7	3.8	33	•	•	•		•
RDM8025B				6.0~13.8	0.11	2,500	29.5	2.6	29	•	•	•		•
RDL8025B				6.0~13.8	0.08	2,000	23.5	1.7	24	•	•	•		•
RDH8025S2	Sleeve	24	12.0~27.6	0.15	3,000	35.7	3.8	33	•	•				
RDM8025S2			12.0~27.6	0.12	2,500	29.5	2.6	29	•	•				
RDL8025S2			12.0~27.6	0.09	2,000	23.5	1.7	24	•	•				
RDH8025B2			Ball	12.0~27.6	0.15	3,000	35.7	3.8	33	•	•			
RDM8025B2				12.0~27.6	0.12	2,500	29.5	2.6	29	•	•			
RDL8025B2				12.0~27.6	0.09	2,000	23.5	1.7	24	•	•			



80 x 80 x 38 mm

Dimensions Drawing



Main Application : ATM

主要應用 : ATM



Energy Saving

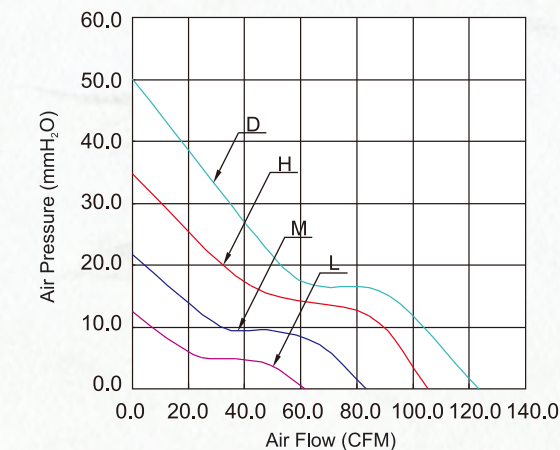


Low Noise

General Specification

- Frame and Impeller : Thermal Plastic , UL 94V-0
- Lead Wires : UL Type
(+) : Red (-) : Black
- Operation Temperature : -10°C~70°C
35%~85%RH
- Storage Temperature : -40°C~80°C
35%~85%RH
- UL US CE

Performance Curves



Listed Model	Bearing System	Rated Voltage	Operation Voltage	Rated Current	Rated Speed	Air Flow	Air Pressure	Noise Level	Available Features (Optional)				Weight
		VDC	VDC	A	RPM	CFM	mmH ₂ O	dBA	Tachometer Output	Rotation Detector	Thermal Control	Pulse Width Modulation	g
RGD8038B1	Ball	12	6.0~13.8	2.80	9,000	123.3	50.0	67	•	•		•	180
RGH8038B1			6.0~13.8	1.55	7,500	105.2	34.8	63	•	•		•	
RGM8038B1			6.0~13.8	0.85	6,000	83.4	21.8	57	•	•		•	
RGL8038B1			6.0~13.8	0.45	4,500	61.5	12.4	49	•	•		•	
RGD8038B2	Ball	24	12.0~27.6	1.40	9,000	123.3	50.0	67	•	•		•	180
RGH8038B2			12.0~27.6	0.78	7,500	105.2	34.8	63	•	•		•	
RGM8038B2			12.0~27.6	0.45	6,000	83.4	21.8	57	•	•		•	
RGL8038B2			12.0~27.6	0.25	4,500	61.5	12.4	49	•	•		•	
RGD8038B4	Ball	48	24.0~55.2	0.75	9,000	123.3	50.0	67	•	•		•	180
RGH8038B4			24.0~55.2	0.45	7,500	105.2	34.8	63	•	•		•	
RGM8038B4			24.0~55.2	0.28	6,000	83.4	21.8	57	•	•		•	
RGL8038B4			24.0~55.2	0.18	4,500	61.5	12.4	49	•	•		•	



Main Application : ATM

主要應用：ATM



Energy Saving

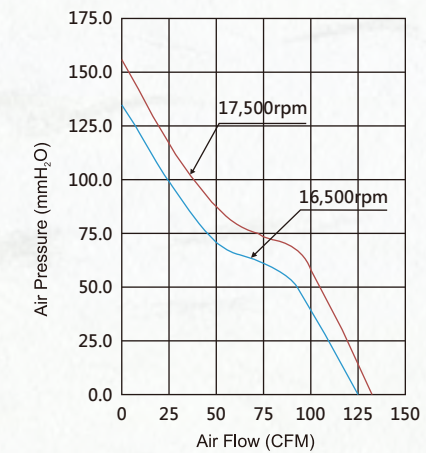


Low Noise

General Specification

- Frame and Impeller : Thermal Plastic , UL 94V-0
- Lead Wires : UL Type
(+) : Red (-) : Black
- Operation Temperature : -10°C~70°C
35%~85%RH
- Storage Temperature : -40°C~80°C
35%~85%RH

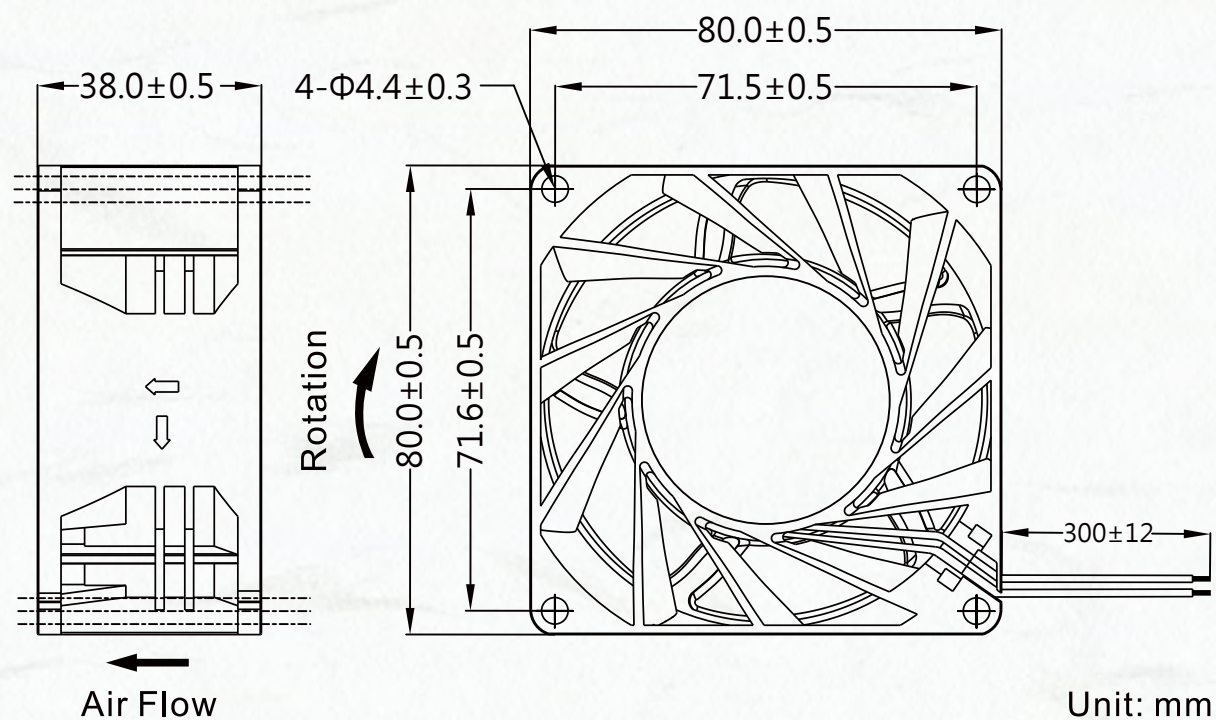
Performance Curves



Listed Model	Bearing System	Rated Voltage	Operation Voltage	Rated Current	Rated Speed	Air Flow	Air Pressure	Noise Level	Available Features (Optional)				Weight
		VDC	VDC	A	RPM	CFM	mmH ₂ O	dBA	Tachometer Output	Rotation Detector	Thermal Control	Pulse Width Modulation	g
RGV8038B1	Ball	12	6.0~13.8	3.3	16,500	125	134	73.0	•	•		•	180
				3.9	17,500	132	155	73.5	•	•		•	

80 x 80 x 38 mm

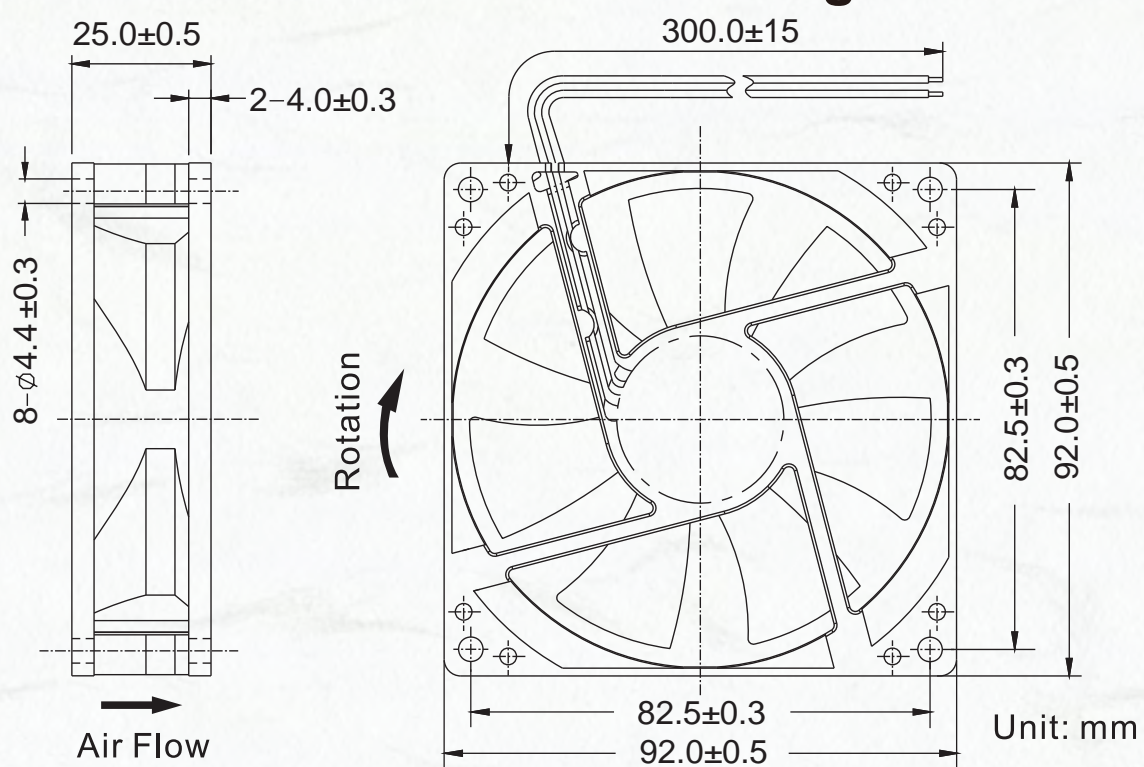
Dimensions Drawing





92 x 92 x 25 mm

Dimensions Drawing



Main Application : Water Dispenser/Vending Machine

主要應用：飲水機/自動販賣機



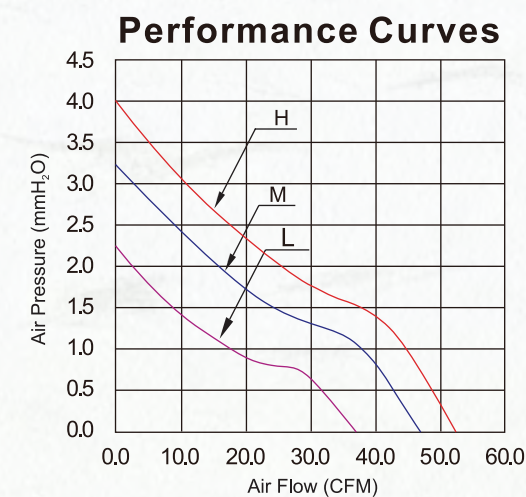
Energy Saving



Low Noise

General Specification

- Frame and Impeller : Thermal Plastic , UL 94V-0
- Lead Wires : UL Type
(+) : Red (-) : Black
- Operation Temperature : -10°C~70°C
35%~85%RH
- Storage Temperature : -40°C~80°C
35%~85%RH
-

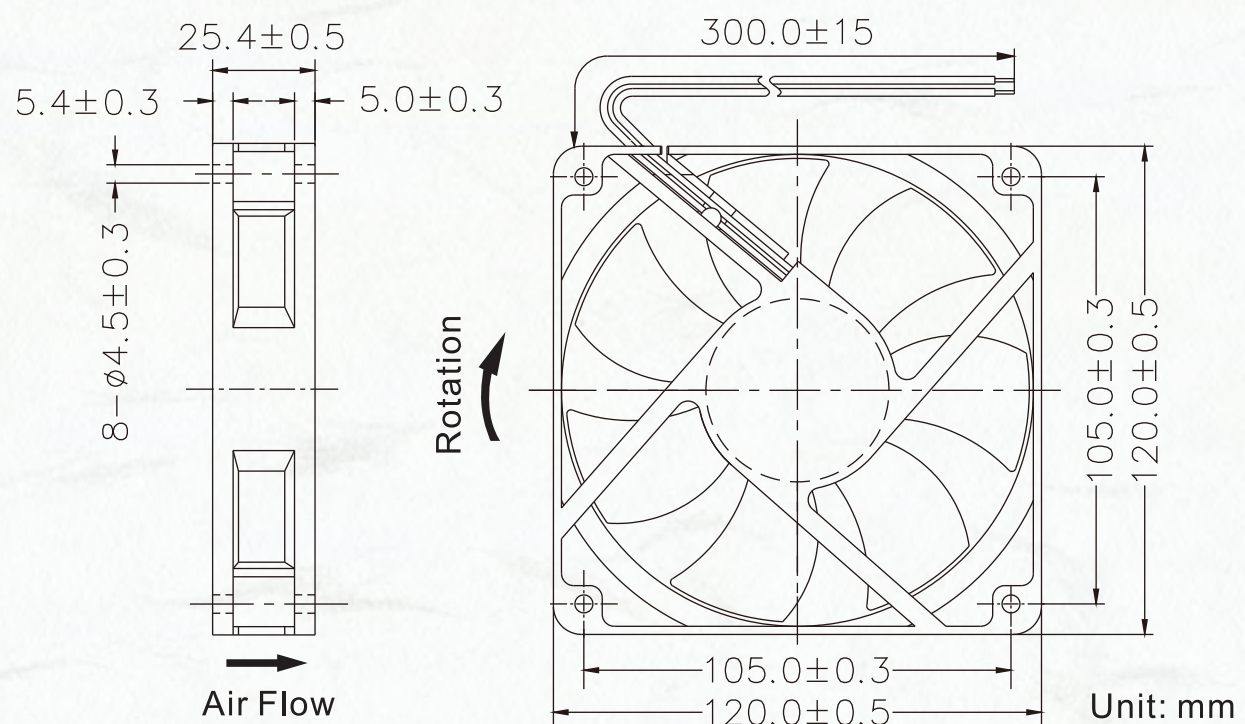


Listed Model	Bearing System	Rated Voltage	Operation Voltage	Rated Current	Rated Speed	Air Flow	Air Pressure	Noise Level	Available Features (Optional)				Weight	
		VDC	VDC	A	RPM	CFM	mmH ₂ O	dBA	Tachometer Output	Rotation Detector	Thermal Control	Pulse Width Modulation	g	
RDH9025S	Sleeve	12	6.0~13.8	0.23	2,800	52.3	4.0	37	•	•	•	•	85	
RDM9025S			6.0~13.8	0.19	2,500	47.0	3.2	34	•	•	•	•		
RDL9025S			6.0~13.8	0.16	2,000	37.1	2.3	29	•	•	•	•		
RDH9025B			Ball	6.0~13.8	0.23	2,800	52.3	4.0	37	•	•	•		•
RDM9025B				6.0~13.8	0.19	2,500	47.0	3.2	34	•	•	•		•
RDL9025B				6.0~13.8	0.16	2,000	37.1	2.3	29	•	•	•		•
RDH9025S2	Sleeve	24		12.0~27.6	0.22	2,800	52.3	4.0	37	•	•	•	•	
RDM9025S2			12.0~27.6	0.18	2,500	47.0	3.2	34	•	•	•	•		
RDL9025S2			12.0~27.6	0.15	2,000	37.1	2.3	29	•	•	•	•		
RDH9025B2			Ball	12.0~27.6	0.22	2,800	52.3	4.0	37	•	•	•	•	
RDM9025B2				12.0~27.6	0.18	2,500	47.0	3.2	34	•	•	•	•	
RDL9025B2				12.0~27.6	0.15	2,000	37.1	2.3	29	•	•	•	•	
RDL9025B2	12.0~27.6	0.15		2,000	37.1	2.3	29	•	•	•	•			



120 x 120 x 25 mm

Dimensions Drawing



Main Application : Self-ordering Kiosks/Vending Coffee Machine

主要應用：自助點餐機/投幣式自動咖啡機



Energy Saving



Low Noise

General Specification

Frame and Impeller : Thermal Plastic , UL 94V-0

Lead Wires : UL Type

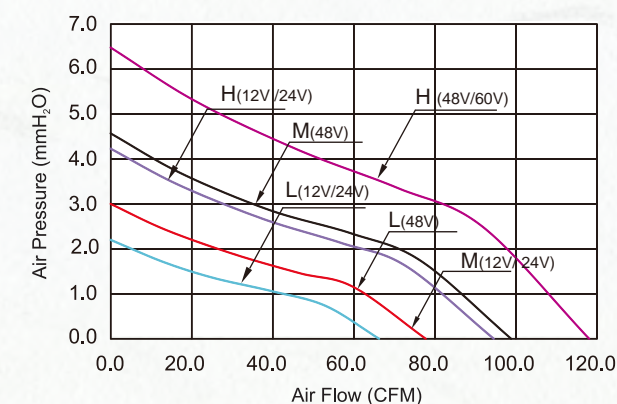
(+) : Red (-) : Black

Operation Temperature : -10°C~70°C
35%~85%RH

Storage Temperature : -40°C~80°C
35%~85%RH



Performance Curves



Listed Model	Bearing System	Rated Voltage	Operation Voltage	Rated Current	Rated Speed	Air Flow	Air Pressure	Noise Level	Available Features (Optional)				Weight	
		VDC	VDC	A	RPM	CFM	mmH ₂ O	dBA	Tachometer Output	Rotation Detector	Thermal Control	Pulse Width Modulation	g	
RDH1225S	Sleeve	12	6.0~13.8	0.40	2,400	94.5	4.2	41	•	•	•	•	164	
RDM1225S			6.0~13.8	0.23	2,000	77.7	3.0	36	•	•	•	•		
RDL1225S			6.0~13.8	0.18	1,700	66.2	2.2	31	•	•	•	•		
RDH1225B			Ball	6.0~13.8	0.40	2,400	94.5	4.2	41	•	•	•		•
RDM1225B				6.0~13.8	0.23	2,000	77.7	3.0	36	•	•	•		•
RDL1225B				6.0~13.8	0.18	1,700	66.2	2.2	31	•	•	•		•
RDH1225S2	Sleeve	24		12.0~27.6	0.35	2,400	94.5	4.2	41	•	•	•		•
RDM1225S2			12.0~27.6	0.20	2,000	77.7	3.0	36	•	•	•	•		
RDL1225S2			12.0~27.6	0.13	1,700	66.2	2.2	31	•	•	•	•		
RDH1225B2			Ball	12.0~27.6	0.35	2,400	94.5	4.2	41	•	•	•		•
RDM1225B2				12.0~27.6	0.20	2,000	77.7	3.0	36	•	•	•		•
RDL1225B2				12.0~27.6	0.13	1,700	66.2	2.2	31	•	•	•		•
RDH1225B4	Ball	48		24.0~55.2	0.30	3,000	118.0	6.5	48	•	•	•	•	
RDM1225B4			24.0~55.2	0.24	2,500	98.8	4.6	43	•	•	•	•		
RDL1225B4			24.0~55.2	0.15	2,000	77.7	3.0	36	•	•	•	•		
RDH1225B6			Ball	60	36.0~72.0	0.30	3,000	118.0	6.5	48	•	•	•	•



Main Application : Water Dispenser/Vending Machine

主要應用：飲水機/自動販賣機



Energy Saving

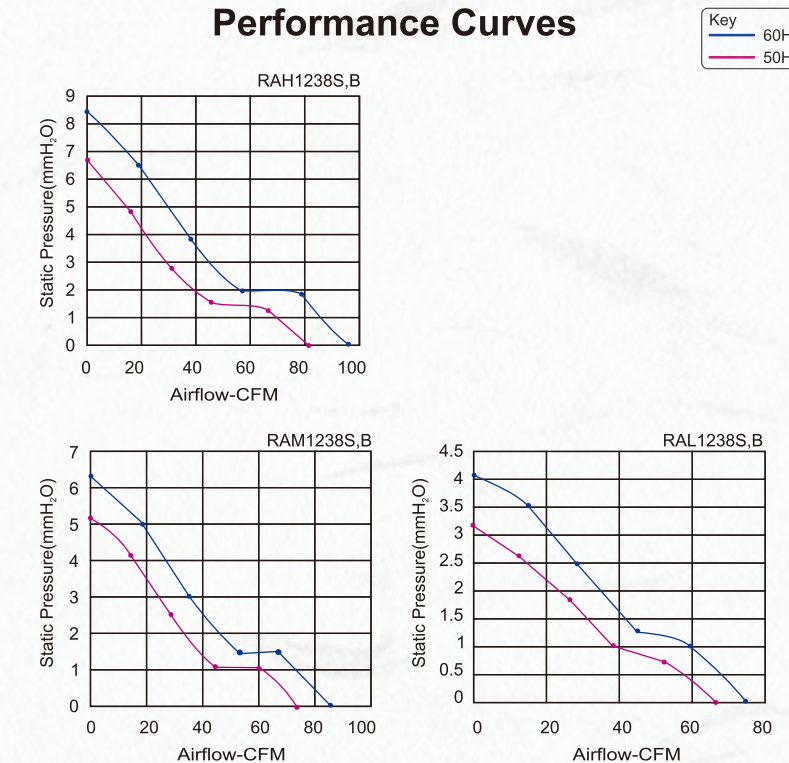


Low Noise

General Specification

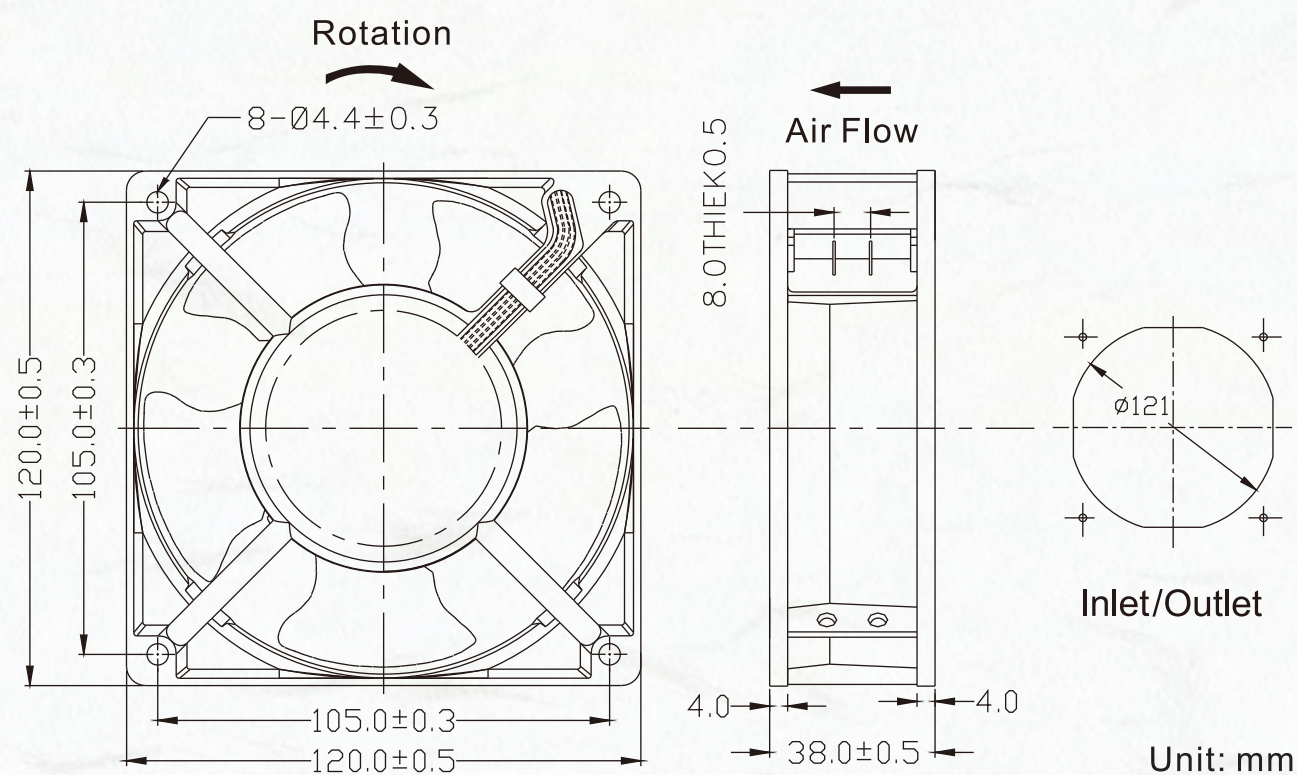
- Impeller : PBT UL94V-0 Reinforced Plastic
- Frame : Aluminum Alloy
- Terminals : 0.5mm
- Lead Wire : AWG#22 UL 1430(Optional)
- Motor : Shaded Pole Induction Motor
- Operation Temperature : -10°C~+70°C
35%~85%RH
- Storage Temperature : -40°C~75°C
35%~85%RH
- (220~240V)
- (100~125V)

Performance Curves



120 x 120 x 38 mm

Dimensions Drawing



Model	Bearing System	Voltage VAC	Freq. Hz	Current A	Power W	Speed RPM	Noise dBA	Air Flow		Static Pressure (mmH ₂ O)	Weight Gram
								M ³ /hr	CFM		
RAH1238S1	Sleeve	220~240	50/60	0.20	23/20	2600/3000	40/43	139/163	82/96	6.8/8.5	500
RAM1238S1		220~240	50/60	0.16	15/14	2400/2700	39/42	127/144	75/85	5.3/6.3	
RAL1238S1		220~240	50/60	0.10	10/9	2100/2400	35/39	114/127	67/75	3.1/4.1	
RAH1238S2		100~125	50/60	0.30	23/20	2600/3000	40/43	139/163	82/96	6.8/8.5	
RAM1238S2		100~125	50/60	0.25	15/14	2400/2700	39/42	127/144	75/85	5.3/6.3	
RAL1238S2		100~125	50/60	0.24	10/9	2100/2400	35/39	114/127	67/75	3.1/4.1	
RAH1238B1	Ball	220~240	50/60	0.20	23/20	2600/3000	41/44	139/163	82/96	6.8/8.5	
RAM1238B1		220~240	50/60	0.16	15/14	2400/2700	39/42	127/144	75/85	5.3/6.3	
RAL1238B1		220~240	50/60	0.10	10/9	2100/2400	35/39	114/127	67/75	3.1/4.1	
RAH1238B2		100~125	50/60	0.30	23/20	2600/3000	41/44	139/163	82/96	6.8/8.5	
RAM1238B2		100~125	50/60	0.25	15/14	2400/2700	39/42	127/144	75/85	5.3/6.3	
RAL1238B2		100~125	50/60	0.24	14/13	2100/2400	35/39	114/127	67/75	3.1/4.1	

Company Location

服務據點



Head Office



Sales Office



Factory

