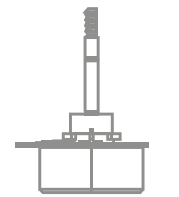
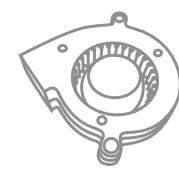
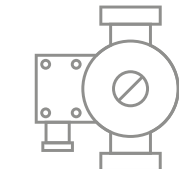
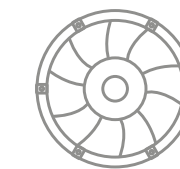
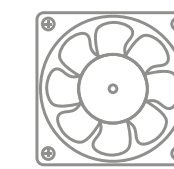


# Medical Devices

醫療設備



info@x-fan.com

TEL : +886-7-2692559

FAX : +886-7-2692590



# Vital Signs Monitor

生命體徵監測器

DC Axial Fan : 40x10/60x10mm



# Electric bed

電動病床

DC Axial Fan : 30x10/60x25mm



# Blood Analyzer

血液分析儀

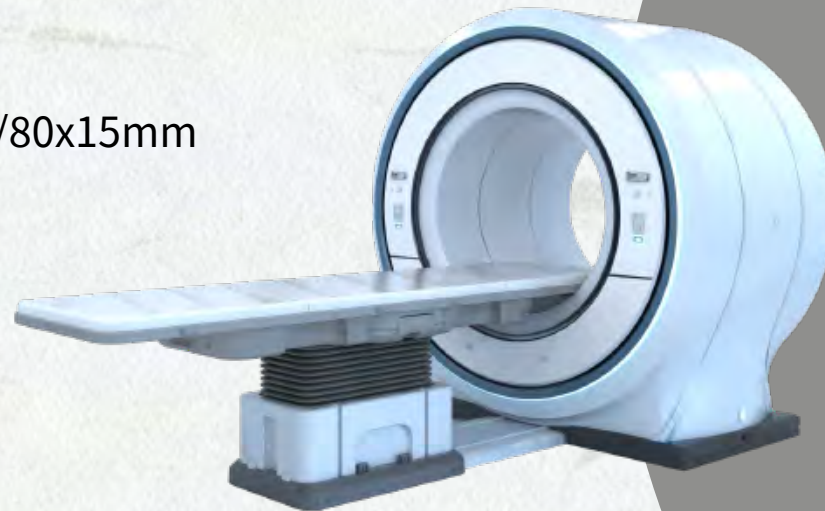
DC Axial Fan : 60x15/80x15/80x25mm



# CT Scanner

CT斷層掃描

DC Axial Fan : 40x10/80x15mm



# Medical Devices

醫療設備

# Ultrasound

超音波

DC Axial Fan : 25x10/50x15/120x25mm



# Automated Nucleic Acid Purification

DNA自動純化核酸儀器

DC Axial Fan : 60x20mm



# Ventilator

呼吸機

DC Axial Fan : 120x38mm



# Electronic Moxibustion

灸用儀器

DC Axial Fan : 40x10/40x15/40x20mm



# Contents 目錄

## ✿ Axial Fan

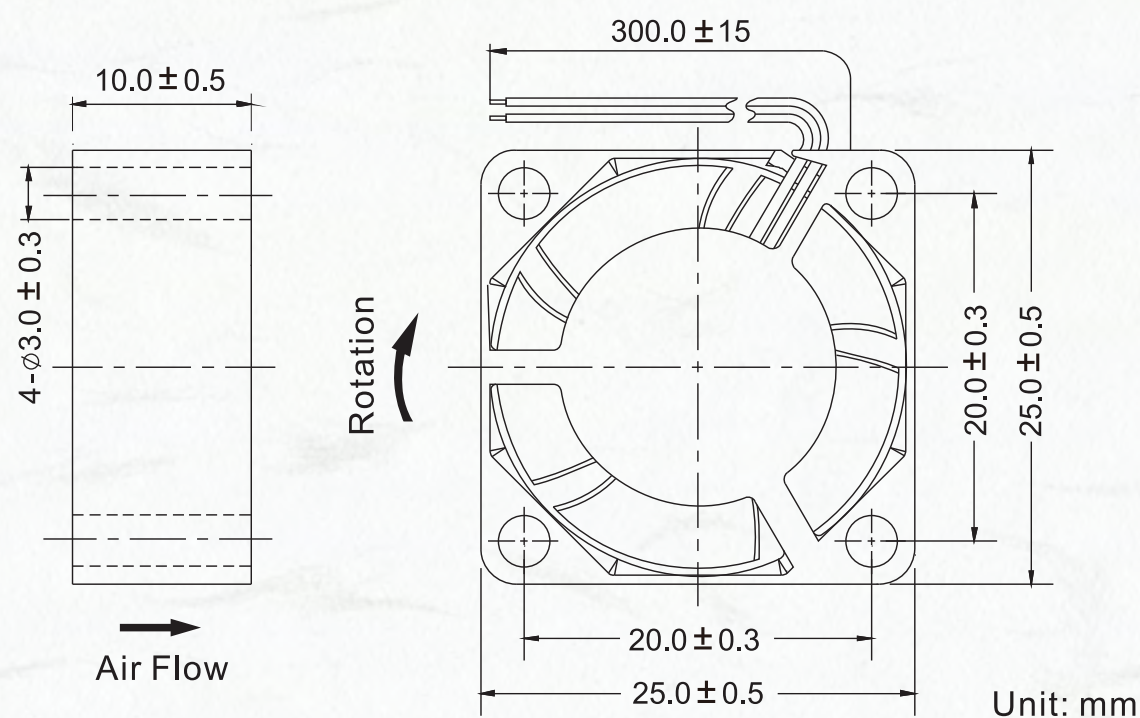


04	DC_2510	08	DC_4020	12	DC_6020	16	DC_1238
05	DC_3010	09	DC_5015	13	DC_6025		
06	DC_4010	10	DC_6010	14	DC_8015		
07	DC_4015	11	DC_6015	15	DC_1225		



25 x 25 x 10 mm

Dimensions Drawing



Main Application : Ultrasound

主要應用：超音波



Energy Saving

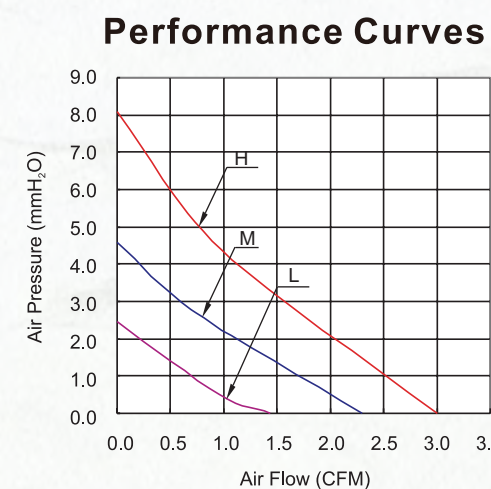


Waterproof and Dustproof



Low Noise

- **General Specification**
- Frame and Impeller : Thermal Plastic , UL 94V-0
- Lead Wires : UL Type  
(+) : Red (-) : Black
- Operation Temperature : -10°C~70°C  
35%~85%RH
- Storage Temperature : -40°C~80°C  
35%~85%RH
- 

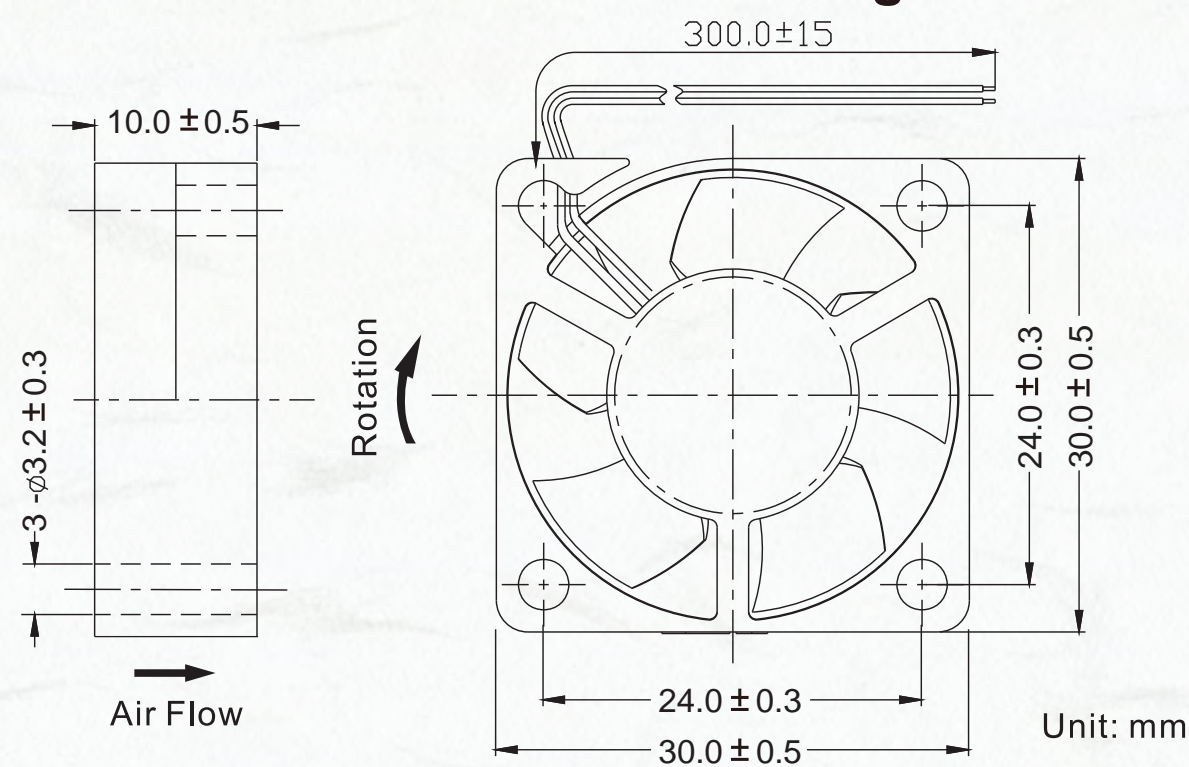


Listed Model	Bearing System	Rated Voltage	Operation Voltage	Rated Current	Rated Speed	Air Flow	Air Pressure	Noise Level	Available Features (Optional)				Weight
		VDC	VDC	A	RPM	CFM	mmH <sub>2</sub> O	dBA	Tachometer Output	Rotation Detector	Thermal Control	Pulse Width Modulation	g
RDH2510S5	Sleeve	5	4.0~5.75	0.16	13,000	3.0	8.1	30	•	•			7
RDM2510S5			4.0~5.75	0.12	10,000	2.3	4.6	23	•	•			
RDL2510S5			4.0~5.75	0.08	7,000	1.4	2.5	19	•	•			
RDH2510B5	Ball		4.0~5.75	0.16	13,000	3.0	8.1	30	•	•			
RDM2510B5			4.0~5.75	0.12	10,000	2.3	4.6	23	•	•			
RDL2510B5			4.0~5.75	0.08	7,000	1.4	2.5	19	•	•			
RDH2510S	Sleeve	12	6.0~13.8	0.10	13,000	3.0	8.1	30	•	•			
RDM2510S			6.0~13.8	0.08	10,000	2.3	4.6	23	•	•			
RDL2510S			6.0~13.8	0.06	7,000	1.4	2.5	19	•	•			
RDH2510B	Ball		6.0~13.8	0.10	13,000	3.0	8.1	30	•	•			
RDM2510B			6.0~13.8	0.08	10,000	2.3	4.6	23	•	•			
RDL2510B			6.0~13.8	0.06	7,000	1.4	2.5	19	•	•			



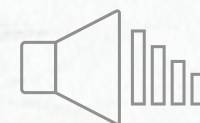
30 x 30 x 10 mm

Dimensions Drawing



Main Application : Electric bed

主要應用：電動病床



Energy Saving

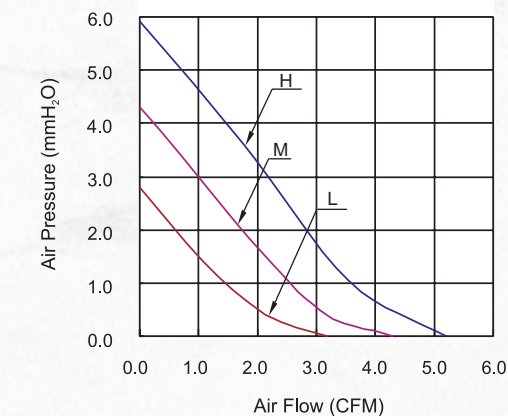
Waterproof and Dustproof

Low Noise

General Specification

- Frame and Impeller : Thermal Plastic , UL 94V-0
- Lead Wires : UL Type  
(+) : Red (-) : Black
- Operation Temperature : -10°C~70°C  
35%~85%RH
- Storage Temperature : -40°C~80°C  
35%~85%RH
- UL US CE

Performance Curves

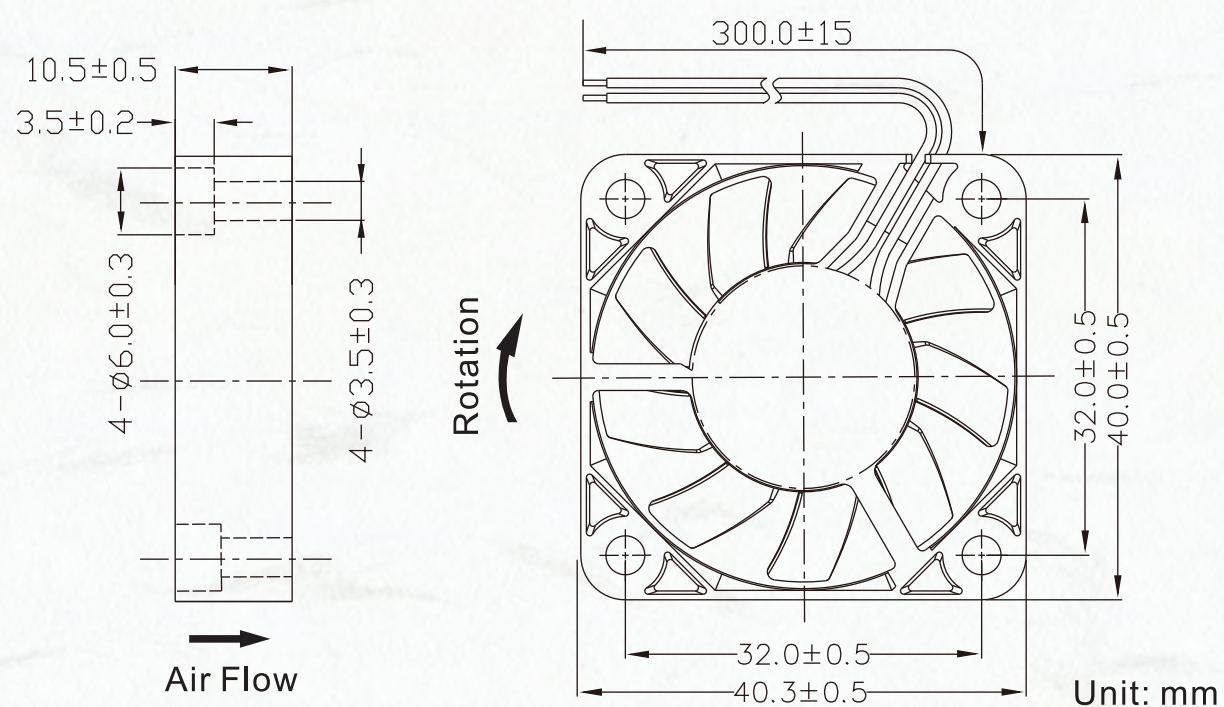


Listed Model	Bearing System	Rated Voltage	Operation Voltage	Rated Current	Rated Speed	Air Flow	Air Pressure	Noise Level	Available Features (Optional)				Weight
		VDC	VDC	A	RPM	CFM	mmH <sub>2</sub> O	dBA	Tachometer Output	Rotation Detector	Thermal Control	Pulse Width Modulation	g
RDH3010S5	Sleeve	5	4.0~5.75	0.20	11,000	5.2	5.9	32	•	•			8.5
RDM3010S5			4.0~5.75	0.14	9,000	4.3	4.3	27	•	•			
RDL3010S5			4.0~5.75	0.12	7,000	3.2	2.8	23	•	•			
RDH3010B5	Ball		4.0~5.75	0.20	11,000	5.2	5.9	32	•	•			
RDM3010B5			4.0~5.75	0.14	9,000	4.3	4.3	27	•	•			
RDL3010B5			4.0~5.75	0.12	7,000	3.2	2.8	23	•	•			
RDH3010S	Sleeve	12	6.0~13.8	0.10	11,000	5.2	5.9	32	•	•			
RDM3010S			6.0~13.8	0.09	9,000	4.3	4.3	27	•	•			
RDL3010S			6.0~13.8	0.06	7,000	3.2	2.8	23	•	•			
RDH3010B	Ball		6.0~13.8	0.10	11,000	5.2	5.9	32	•	•			
RDM3010B			6.0~13.8	0.09	9,000	4.3	4.3	27	•	•			
RDL3010B			6.0~13.8	0.06	7,000	3.2	2.8	23	•	•			



40 x 40 x 10 mm

Dimensions Drawing

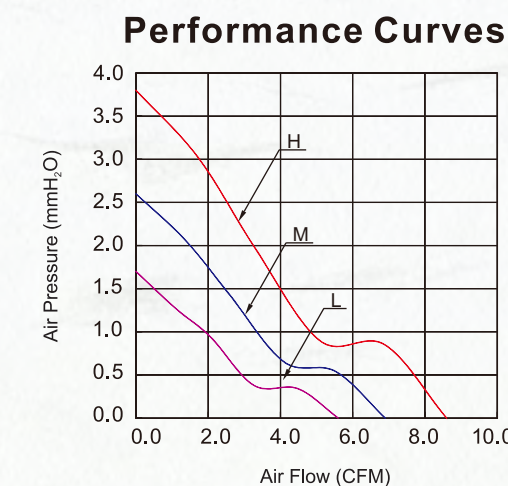


Main Application : CT Scanner/Vital Signs Monitor/  
Electronic Moxibustion  
主要應用：CT斷層掃描/生命體徵監測器/灸用儀器



Energy Saving    Waterproof and Dustproof    Low Noise

- General Specification
- Frame and Impeller : Thermal Plastic , UL 94V-0
- Lead Wires : UL Type  
(+) : Red (-) : Black
- Operation Temperature : -10°C~70°C  
35%~85%RH
- Storage Temperature : -40°C~80°C  
35%~85%RH
- 

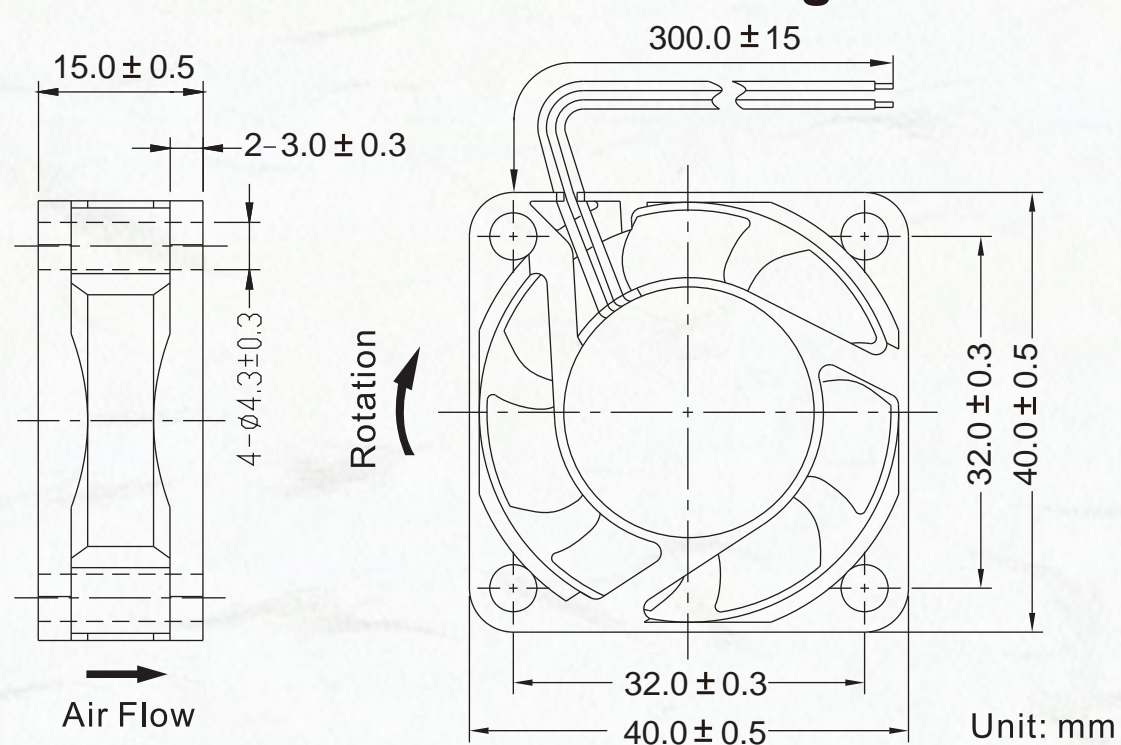


Listed Model	Bearing System	Rated Voltage	Operation Voltage	Rated Current	Rated Speed	Air Flow	Air Pressure	Noise Level	Available Features (Optional)				Weight
		VDC	VDC	A	RPM	CFM	mmH <sub>2</sub> O	dBA	Tachometer Output	Rotation Detector	Thermal Control	Pulse Width Modulation	g
RDH4010S5	Sleeve	5	3.5~5.75	0.20	6,500	8.6	3.8	32	•	•			16
RDM4010S5			3.5~5.75	0.16	5,500	6.9	2.6	28	•	•			
RDL4010S5			3.5~5.75	0.13	4,500	5.6	1.7	25	•	•			
RDH4010B5	Ball		3.5~5.75	0.20	6,500	8.6	3.8	32	•	•			
RDM4010B5			3.5~5.75	0.16	5,500	6.9	2.6	28	•	•			
RDL4010B5			3.5~5.75	0.13	4,500	5.6	1.7	25	•	•			
RDH4010S1	Sleeve	12	6.0~13.8	0.09	6,500	8.6	3.8	32	•	•			
RDM4010S1			6.0~13.8	0.07	5,500	6.9	2.6	28	•	•			
RDL4010S1			7.0~13.8	0.06	4,500	5.6	1.7	25	•	•			
RDH4010B1	Ball		6.0~13.8	0.09	6,500	8.6	3.8	32	•	•			
RDM4010B1			6.0~13.8	0.07	5,500	6.9	2.6	28	•	•			
RDL4010B1			7.0~13.8	0.06	4,500	5.6	1.7	25	•	•			
RDH4010S2	Sleeve	24	12.0~27.6	0.09	6,500	8.6	3.8	32	•	•			
RDM4010S2			12.0~27.6	0.06	5,500	6.9	2.6	28	•	•			
RDL4010S2			16.0~27.6	0.05	4,500	5.6	1.7	25	•	•			
RDH4010B2	Ball		12.0~27.6	0.09	6,500	8.6	3.8	32	•	•			
RDM4010B2			12.0~27.6	0.06	5,500	6.9	2.6	28	•	•			
RDL4010B2			16.0~27.6	0.05	4,500	5.6	1.7	25	•	•			



40 x 40 x 15 mm

**Dimensions Drawing**



Main Application : Electronic Moxibustion

主要應用：灸用儀器



Energy Saving



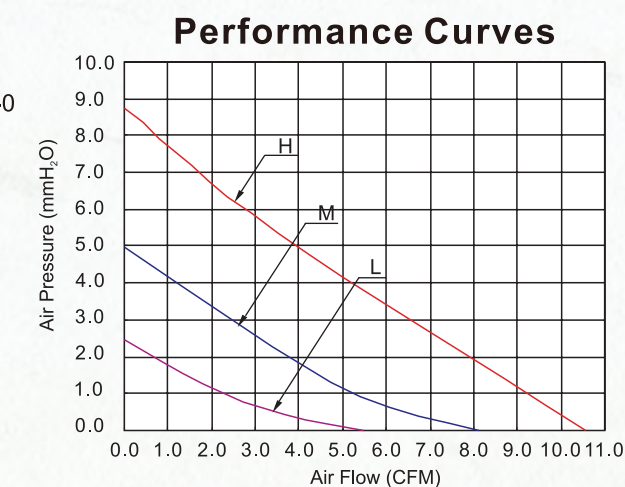
Waterproof and Dustproof



Low Noise

**General Specification**

- Frame and Impeller : Thermal Plastic , UL 94V-0
- Lead Wires : UL Type  
(+) : Red (-) : Black
- Operation Temperature : -10°C~70°C  
35%~85%RH
- Storage Temperature : -40°C~80°C  
35%~85%RH
- 

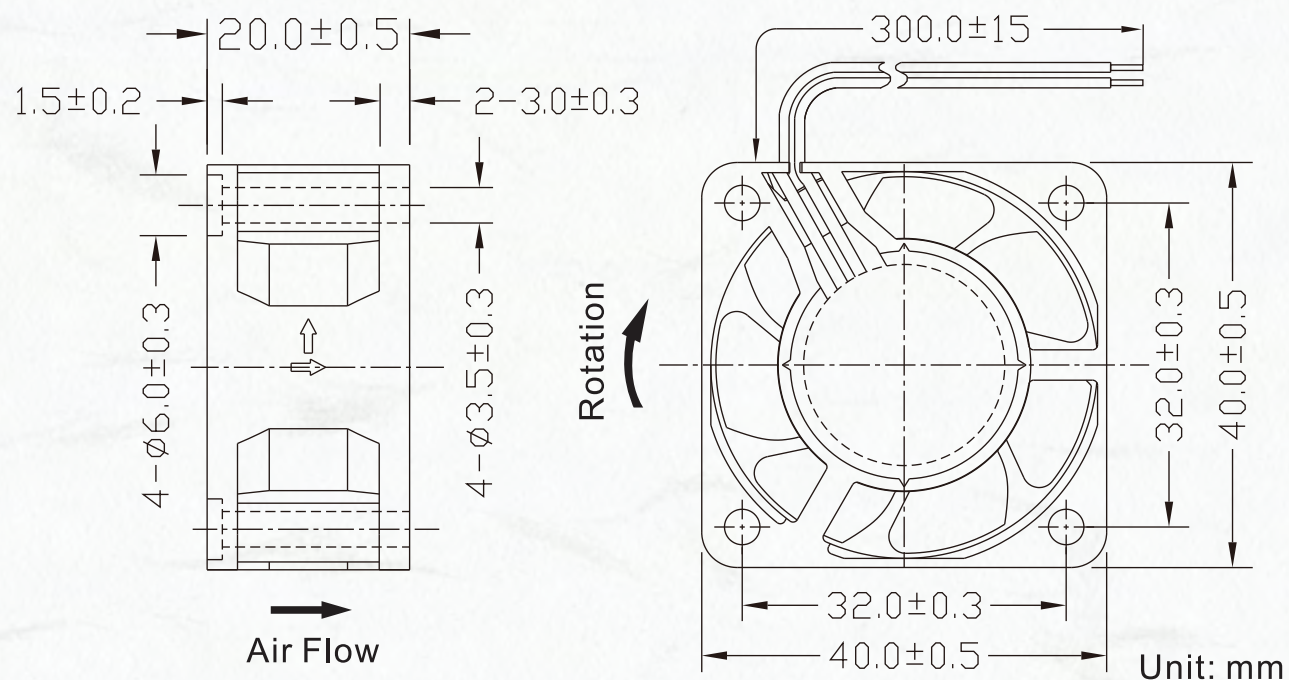


Listed Model	Bearing System	Rated Voltage	Operation Voltage	Rated Current	Rated Speed	Air Flow	Air Pressure	Noise Level	Available Features (Optional)				Weight
		VDC	VDC	A	RPM	CFM	mmH <sub>2</sub> O	dBA	Tachometer Output	Rotation Detector	Thermal Control	Pulse Width Modulation	g
RDH4015S1	Sleeve	12	6.0~13.8	0.26	8,500	10.6	8.8	37	•	•			23.5
RDM4015S1			6.0~13.8	0.18	6,500	8.1	5.0	30	•	•			
RDL4015S1			6.0~13.8	0.10	4,500	5.5	2.5	21	•	•			
RDH4015B1	Ball	12	6.0~13.8	0.26	8,500	10.6	8.8	37	•	•			
RDM4015B1			6.0~13.8	0.18	6,500	8.1	5.0	30	•	•			
RDL4015B1			6.0~13.8	0.10	4,500	5.5	2.5	21	•	•			
RDH4015C1	One Ball One Sleeve	12	6.0~13.8	0.26	8,500	10.6	8.8	37	•	•			
RDM4015C1			6.0~13.8	0.18	6,500	8.1	5.0	30	•	•			
RDL4015C1			6.0~13.8	0.10	4,500	5.5	2.5	21	•	•			



40 x 40 x 20 mm

Dimensions Drawing



Main Application : Electronic Moxibustion

主要應用：灸用儀器



Energy Saving



Waterproof and Dustproof

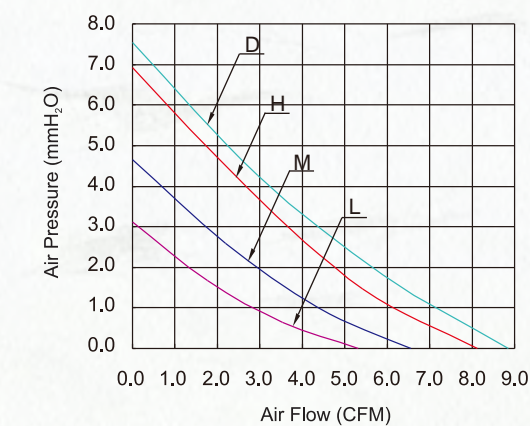


Low Noise

General Specification

- Frame and Impeller : Thermal Plastic , UL 94V-0
- Lead Wires : UL Type  
(+) : Red (-) : Black
- Operation Temperature : -10°C~70°C  
35%~85%RH
- Storage Temperature : -40°C~80°C  
35%~85%RH
- UL US CE

Performance Curves



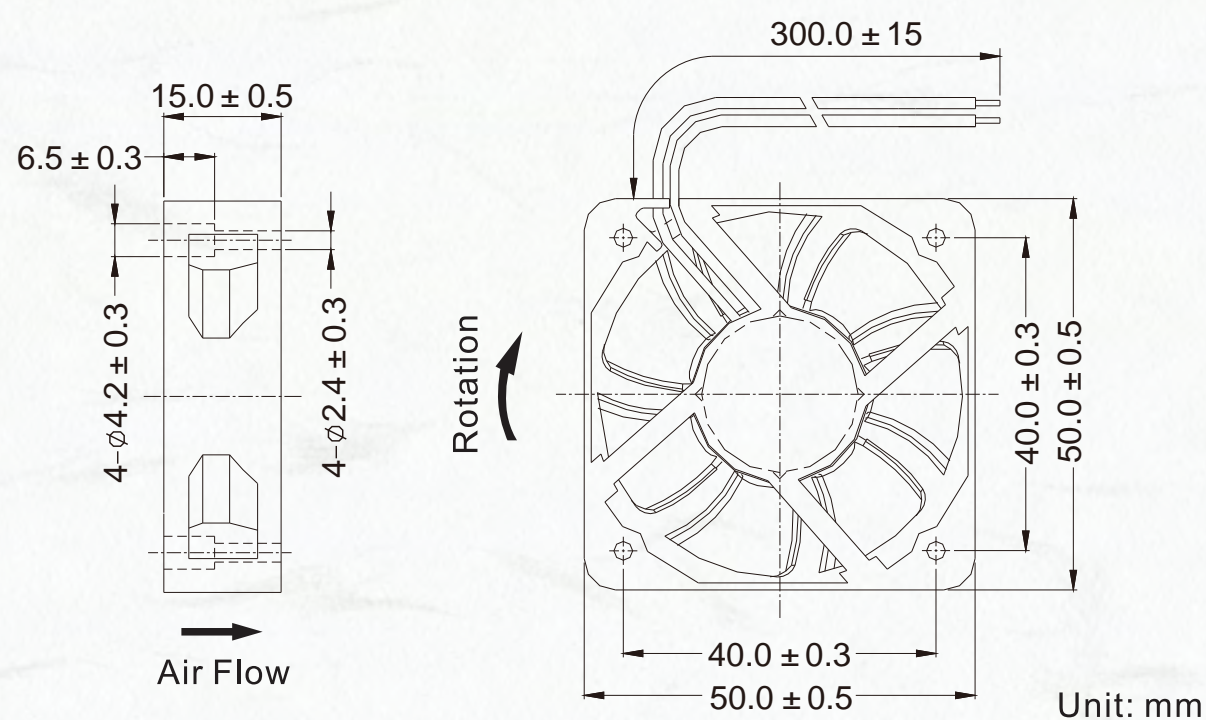
Listed Model	Bearing System	Rated Voltage	Operation Voltage	Rated Current	Rated Speed	Air Flow	Air Pressure	Noise Level	Available Features (Optional)				Weight
		VDC	VDC	A	RPM	CFM	mmH <sub>2</sub> O	dBA	Tachometer Output	Rotation Detector	Thermal Control	Pulse Width Modulation	g
RDD4020S5	Sleeve	5	3.5~5.75	0.40	8,000	8.9	7.5	33	•	•			29
RDH4020S5			3.5~5.75	0.28	7,500	8.1	6.9	31	•	•			
RDM4020S5			3.5~5.75	0.25	6,200	6.6	4.7	27	•	•			
RDL4020S5			3.5~5.75	0.20	5,000	5.3	3.1	23	•	•			
RDD4020B5	Ball		3.5~5.75	0.40	8,000	8.9	7.5	33	•	•			
RDH4020B5			3.5~5.75	0.28	7,500	8.1	6.9	31	•	•			
RDM4020B5			3.5~5.75	0.25	6,200	6.6	4.7	27	•	•			
RDL4020B5			3.5~5.75	0.20	5,000	5.3	3.1	23	•	•			
RDH4020S	Sleeve	12	6.0~13.8	0.12	8,000	8.9	7.5	33	•	•			
RDH4020S			6.0~13.8	0.12	7,500	8.1	6.9	31	•	•			
RDM4020S			6.0~13.8	0.10	6,200	6.6	4.7	27	•	•			
RDL4020S			6.0~13.8	0.06	5,000	5.3	3.1	23	•	•			
RDH4020B	Ball		6.0~13.8	0.12	8,000	8.9	7.5	33	•	•			
RDH4020B			6.0~13.8	0.12	7,500	8.1	6.9	31	•	•			
RDM4020B			6.0~13.8	0.10	6,200	6.6	4.7	27	•	•			
RDL4020B			6.0~13.8	0.06	5,000	5.3	3.1	23	•	•			
RDD4020S2	Sleeve	24	12.0~27.6	0.09	8,000	8.9	7.5	33	•	•			
RDH4020S2			12.0~27.6	0.07	7,500	8.1	6.9	31	•	•			
RDM4020S2			12.0~27.6	0.06	6,200	6.6	4.7	27	•	•			
RDL4020S2			12.0~27.6	0.05	5,000	5.3	3.1	23	•	•			
RDD4020B2	Ball		12.0~27.6	0.09	8,000	8.9	7.5	33	•	•			
RDH4020B2			12.0~27.6	0.07	7,500	8.1	6.9	31	•	•			
RDM4020B2			12.0~27.6	0.06	6,200	6.6	4.7	27	•	•			
RDL4020B2			12.0~27.6	0.05	5,000	5.3	3.1	23	•	•			





50 x 50 x 15 mm

Dimensions Drawing



Main Application : Ultrasound

主要應用：超音波

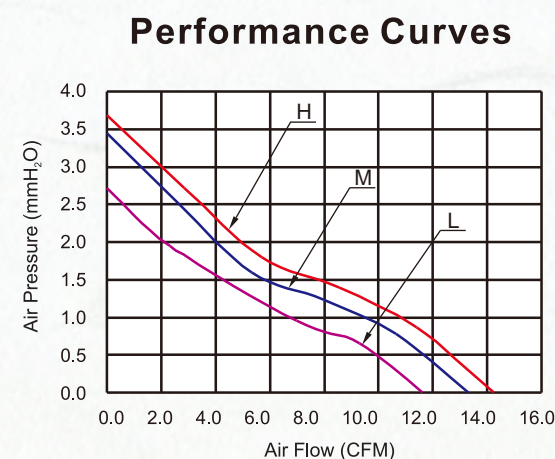


Energy Saving

Waterproof and Dustproof

Low Noise

- General Specification
- Frame and Impeller : Thermal Plastic , UL 94V-0
- Lead Wires : UL Type  
(+) : Red (-) : Black
- Operation Temperature : -10°C~70°C  
35%~85%RH
- Storage Temperature : -40°C~80°C  
35%~85%RH
- 

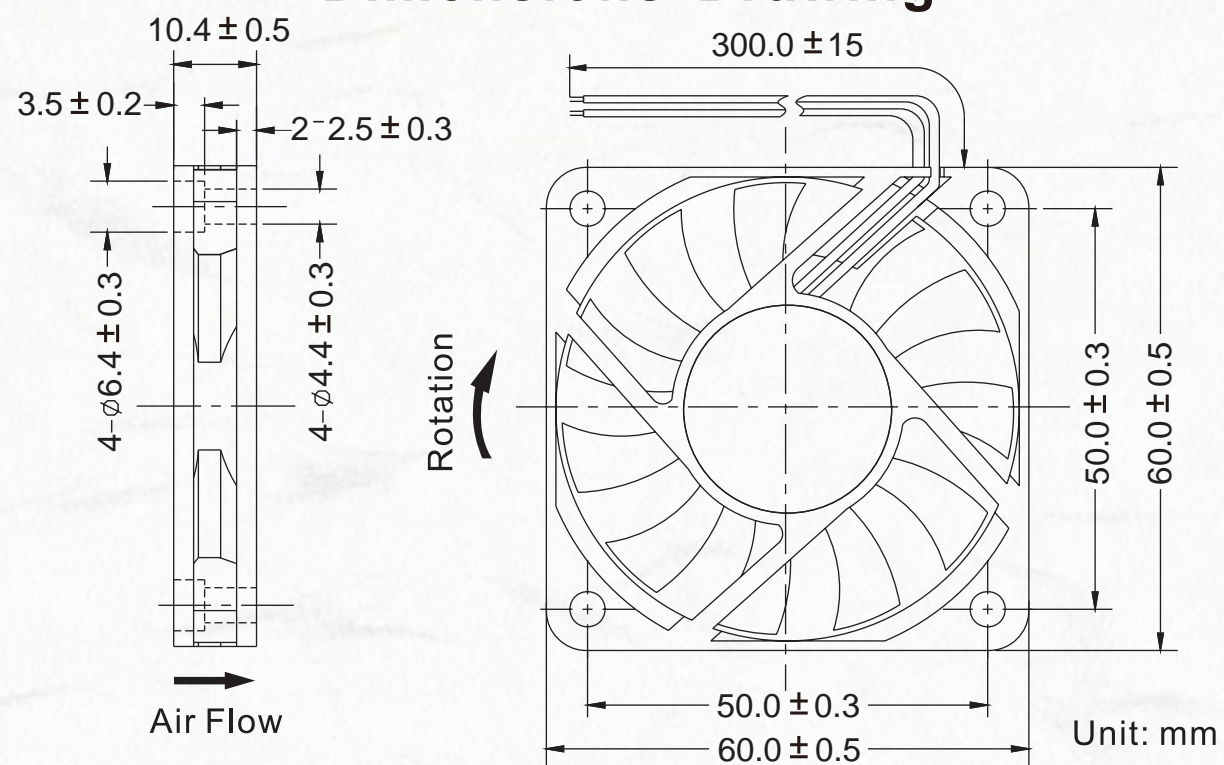


Listed Model	Bearing System	Rated Voltage	Operation Voltage	Rated Current	Rated Speed	Air Flow	Air Pressure	Noise Level	Available Features (Optional)				Weight
		VDC	VDC	A	RPM	CFM	mmH <sub>2</sub> O	dBA	Tachometer Output	Rotation Detector	Thermal Control	Pulse Width Modulation	g
RDH5015S5	Sleeve	5	3.5~5.75	0.33	5,500	14.2	3.6	31	•	•			31
RDM5015S5			3.5~5.75	0.25	5,000	13.3	3.4	27	•	•			
RDL5015S5			3.5~5.75	0.20	4,500	11.6	2.7	25	•	•			
RDH5015B5	Ball		3.5~5.75	0.33	5,500	14.2	3.6	31	•	•			
RDM5015B5			3.5~5.75	0.25	5,000	13.3	3.4	27	•	•			
RDL5015B5			3.5~5.75	0.20	4,500	11.6	2.7	25	•	•			
RDH5015S	Sleeve	12	6.0~13.8	0.16	5,500	14.2	3.6	31	•	•			
RDM5015S			6.0~13.8	0.14	5,000	13.3	3.4	27	•	•			
RDL5015S			6.0~13.8	0.12	4,500	11.6	2.7	25	•	•			
RDH5015B	Ball		6.0~13.8	0.16	5,500	14.2	3.6	31	•	•			
RDM5015B			6.0~13.8	0.14	5,000	13.3	3.4	27	•	•			
RDL5015B			6.0~13.8	0.12	4,500	11.6	2.7	25	•	•			
RDH5015S2	Sleeve	24	12.0~27.6	0.10	5,500	14.2	3.6	31	•	•			
RDM5015S2			12.0~27.6	0.08	5,000	13.3	3.4	27	•	•			
RDL5015S2			12.0~27.6	0.06	4,500	11.6	2.7	25	•	•			
RDH5015B2	Ball		12.0~27.6	0.10	5,500	14.2	3.6	31	•	•			
RDM5015B2			12.0~27.6	0.08	5,000	13.3	3.4	27	•	•			
RDL5015B2			12.0~27.6	0.06	4,500	11.6	2.7	25	•	•			



60 x 60 x 10 mm

**Dimensions Drawing**



Main Application : Vital Signs Monitor

主要應用：生命體徵監測器



Energy Saving



Waterproof and Dustproof



Low Noise

**General Specification**

Frame and Impeller : Thermal Plastic , UL 94V-0

Lead Wires : UL Type

(+) : Red (-) : Black

Operation Temperature : -10°C~70°C  
35%~85%RH

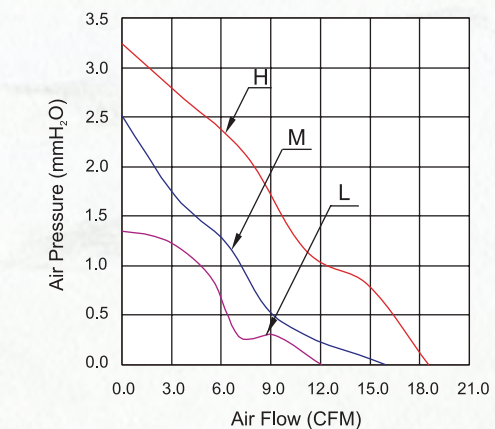
Storage Temperature : -40°C~80°C  
35%~85%RH



(12V)



**Performance Curves**

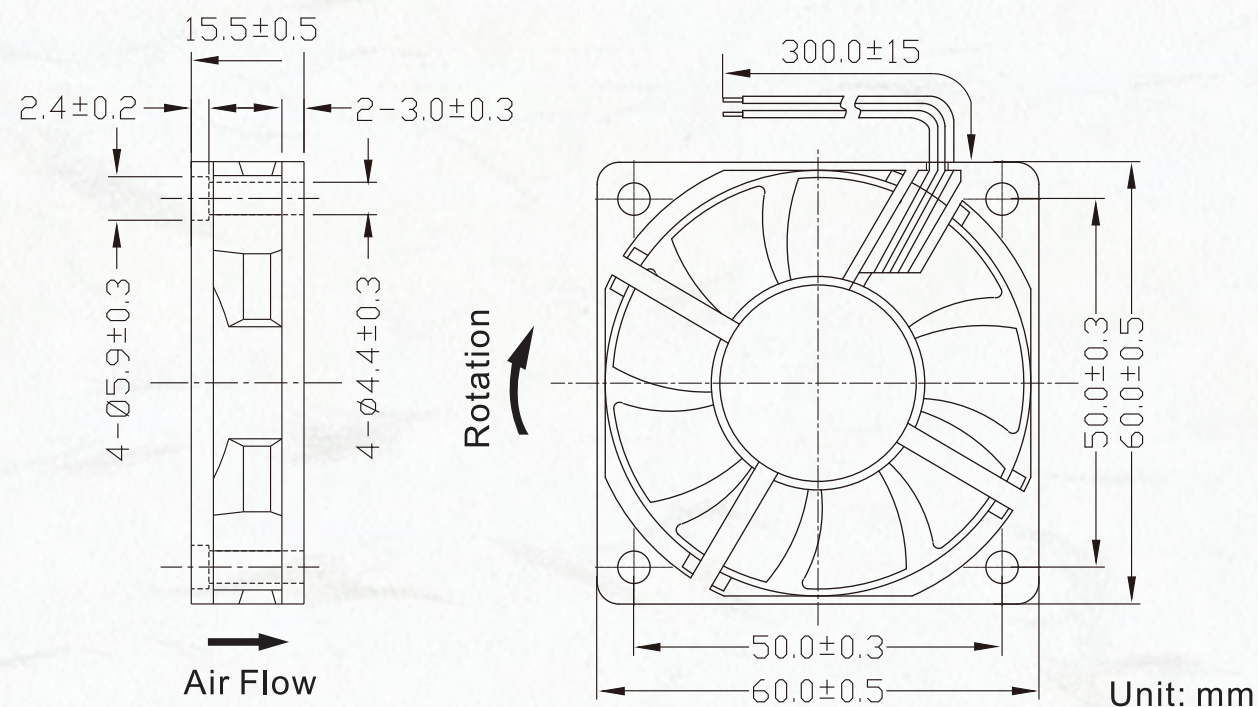


Listed Model	Bearing System	Rated Voltage	Operation Voltage	Rated Current	Rated Speed	Air Flow	Air Pressure	Noise Level	Available Features (Optional)				Weight
		VDC	VDC	A	RPM	CFM	mmH <sub>2</sub> O	dBA	Tachometer Output	Rotation Detector	Thermal Control	Pulse Width Modulation	g
RDH6010S5	Sleeve	5	3.5~5.75	0.35	4,200	18.5	3.2	36	•	•			23
RDM6010S5			3.5~5.75	0.22	3,600	15.9	2.5	31	•	•			
RDL6010S5			3.5~5.75	0.17	3,000	12.1	1.4	27	•	•			
RDH6010B5	Ball		3.5~5.75	0.35	4,200	18.5	3.2	36	•	•			
RDM6010B5			3.5~5.75	0.22	3,600	15.9	2.5	31	•	•			
RDL6010B5			3.5~5.75	0.17	3,000	12.1	1.4	27	•	•			
RDH6010S1	Sleeve	12	6.0~13.8	0.22	4,200	18.5	3.2	36	•	•			
RDM6010S1			6.0~13.8	0.17	3,600	15.9	2.5	31	•	•			
RDL6010S1			6.0~13.8	0.14	3,000	12.1	1.4	27	•	•			
RDH6010B1	Ball		6.0~13.8	0.22	4,200	18.5	3.2	36	•	•			
RDM6010B1			6.0~13.8	0.17	3,600	15.9	2.5	31	•	•			
RDL6010B1			6.0~13.8	0.14	3,000	12.1	1.4	27	•	•			
RDH6010S2	Sleeve	24	12.0~27.6	0.11	4,200	18.5	3.2	36	•	•			
RDM6010S2			12.0~27.6	0.09	3,600	15.9	2.5	31	•	•			
RDL6010S2			12.0~27.6	0.07	3,000	12.1	1.4	27	•	•			
RDH6010B2	Ball		12.0~27.6	0.11	4,200	18.5	3.2	36	•	•			
RDM6010B2			12.0~27.6	0.09	3,600	15.9	2.5	31	•	•			
RDL6010B2			12.0~27.6	0.07	3,000	12.1	1.4	27	•	•			



60 x 60 x 15 mm

Dimensions Drawing



Main Application : Blood Analyzer

主要應用：血液分析儀



Energy Saving

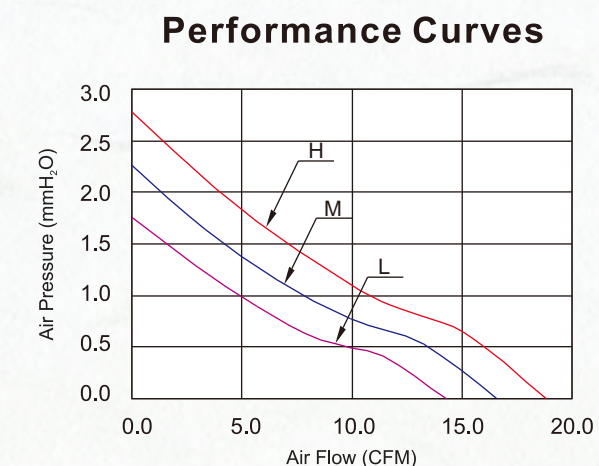


Waterproof and Dustproof



Low Noise

- **General Specification**
- Frame and Impeller : Thermal Plastic , UL 94V-0
- Lead Wires : UL Type  
(+) : Red (-) : Black
- Operation Temperature : -10°C~70°C  
35%~85%RH
- Storage Temperature : -40°C~80°C  
35%~85%RH
- (5V 12V) (24V)

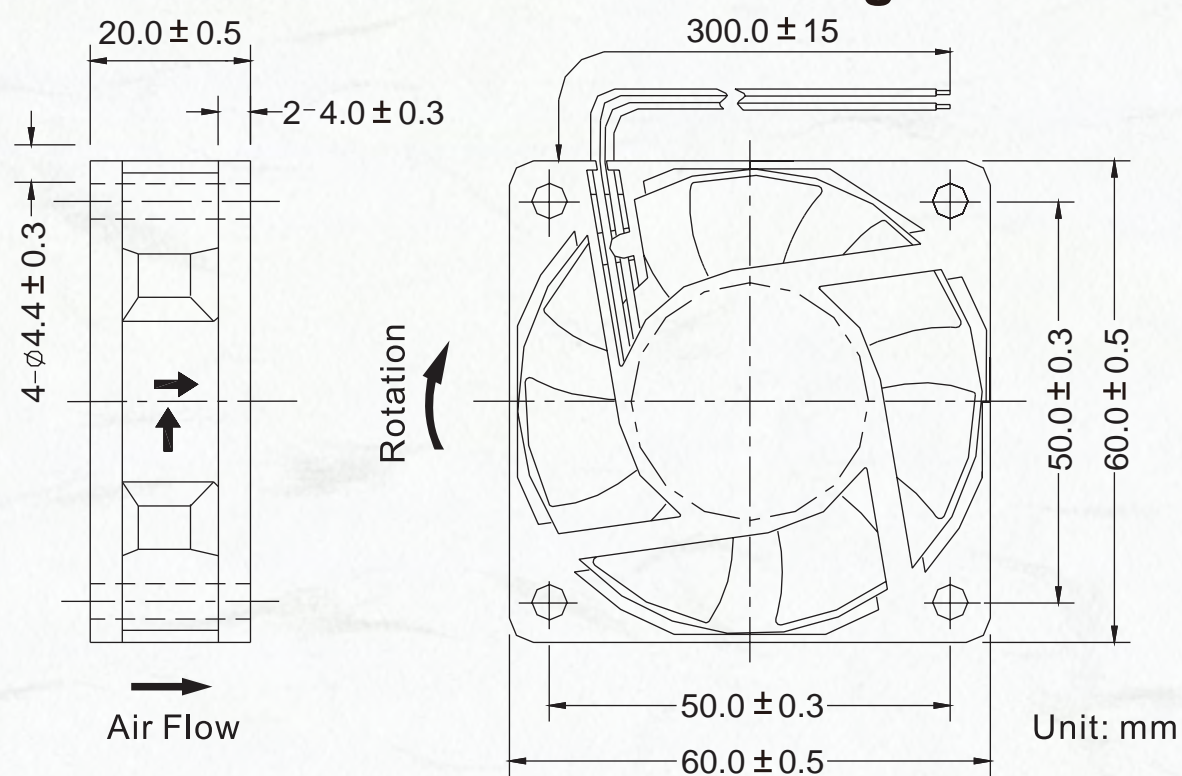


Listed Model	Bearing System	Rated Voltage	Operation Voltage	Rated Current	Rated Speed	Air Flow	Air Pressure	Noise Level	Available Features (Optional)				Weight
		VDC	VDC	A	RPM	CFM	mmH <sub>2</sub> O	dBA	Tachometer Output	Rotation Detector	Thermal Control	Pulse Width Modulation	g
RDH6015S5	Sleeve	5	3.5~5.75	0.40	4,500	18.8	2.8	32	•	•			34
RDM6015S5			3.5~5.75	0.25	4,000	16.6	2.3	30	•	•			
RDL6015S5			3.5~5.75	0.15	3,500	14.3	1.8	26	•	•			
RDH6015B5	Ball		3.5~5.75	0.40	4,500	18.8	2.8	32	•	•			
RDM6015B5			3.5~5.75	0.25	4,000	16.6	2.3	30	•	•			
RDL6015B5			3.5~5.75	0.15	3,500	14.3	1.8	26	•	•			
RDH6015S1	Sleeve	12	6.0~13.8	0.17	4,500	18.8	2.8	32	•	•	•	•	34
RDM6015S1			6.0~13.8	0.15	4,000	16.6	2.3	30	•	•	•	•	
RDL6015S1			6.0~13.8	0.11	3,500	14.3	1.8	26	•	•	•	•	
RDH6015B1	Ball		6.0~13.8	0.17	4,500	18.8	2.8	32	•	•	•	•	
RDM6015B1			6.0~13.8	0.15	4,000	16.6	2.3	30	•	•	•	•	
RDL6015B1			6.0~13.8	0.11	3,500	14.3	1.8	26	•	•	•	•	
RDH6015S2	Sleeve	24	12.0~27.6	0.15	4,500	18.8	2.8	32	•	•			34
RDM6015S2			12.0~27.6	0.10	4,000	16.6	2.3	30	•	•			
RDL6015S2			12.0~27.6	0.08	3,500	14.3	1.8	26	•	•			
RDH6015B2	Ball		12.0~27.6	0.15	4,500	18.8	2.8	32	•	•			
RDM6015B2			12.0~27.6	0.10	4,000	16.6	2.3	30	•	•			
RDL6015B2			12.0~27.6	0.08	3,500	14.3	1.8	26	•	•			



60 x 60 x 20 mm

**Dimensions Drawing**



Main Application : Automated Nucleic Acid Purification

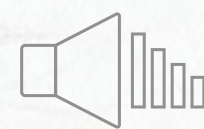
主要應用：DNA自動純化核酸儀器



Energy Saving



Waterproof and Dustproof



Low Noise

**General Specification**

Frame and Impeller : Thermal Plastic , UL 94V-0

Lead Wires : UL Type

(+) : Red (-) : Black

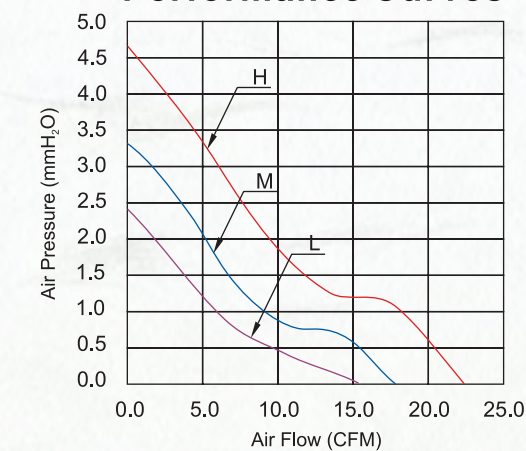
Operation Temperature : -10°C~70°C  
35%~85%RH

Storage Temperature : -40°C~80°C  
35%~85%RH

UL (12V)

CE (24V)

**Performance Curves**

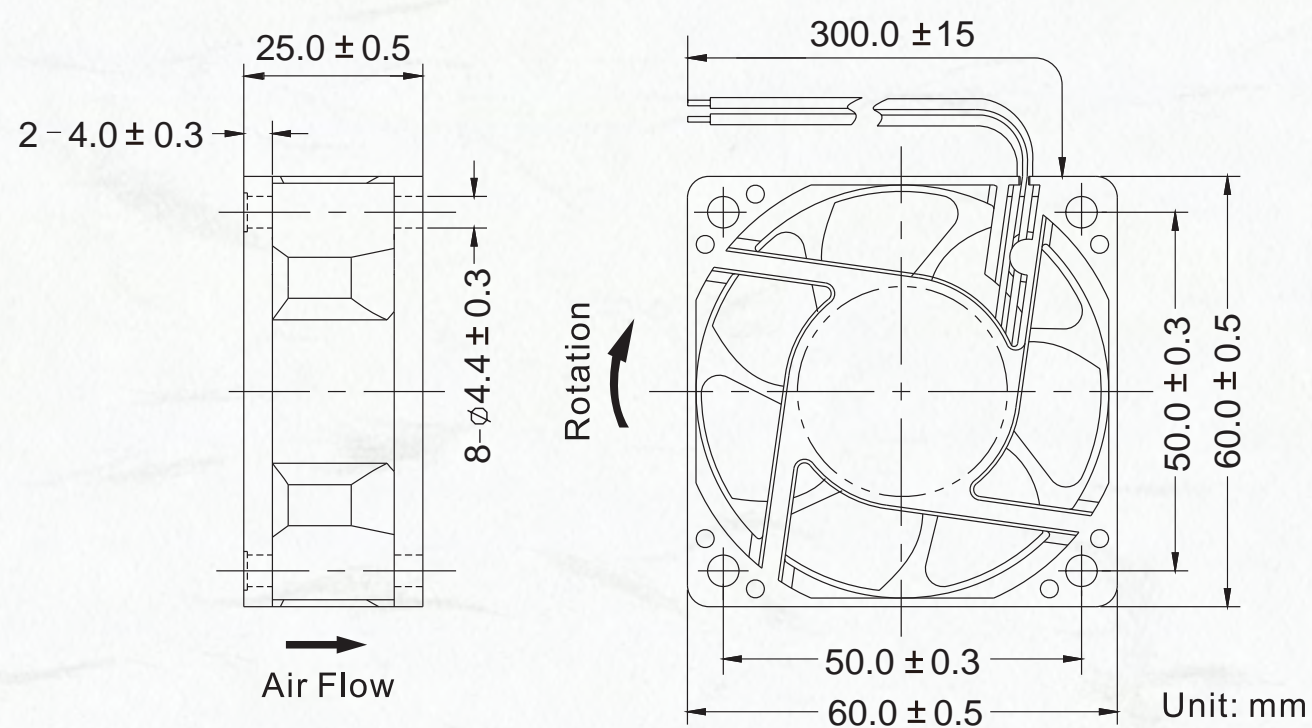


Listed Model	Bearing System	Rated Voltage	Operation Voltage	Rated Current	Rated Speed	Air Flow	Air Pressure	Noise Level	Available Features (Optional)				Weight		
		VDC	VDC	A	RPM	CFM	mmH <sub>2</sub> O	dBA	Tachometer Output	Rotation Detector	Thermal Control	Pulse Width Modulation	g		
RDH6020S	Sleeve	12	6.0~13.8	0.16	4,200	22.3	4.7	35	•	•	•	•	50		
RDM6020S			6.0~13.8	0.12	3,500	18.5	3.3	29	•	•	•	•			
RDL6020S			6.0~13.8	0.08	3,000	15.7	2.4	26	•	•	•	•			
RDH6020B			Ball	12	6.0~13.8	0.16	4,200	22.3	4.7	35	•	•		•	•
RDM6020B					6.0~13.8	0.12	3,500	18.5	3.3	29	•	•		•	•
RDL6020B					6.0~13.8	0.08	3,000	15.7	2.4	26	•	•		•	•
RDH6020S2	Sleeve	24			12.0~27.6	0.13	4,200	22.3	4.7	35	•	•			
RDM6020S2					12.0~27.6	0.10	3,500	18.5	3.3	29	•	•			
RDL6020S2					12.0~27.6	0.08	3,000	15.7	2.4	26	•	•			
RDH6020B2			Ball	24	12.0~27.6	0.13	4,200	22.3	4.7	35	•	•			
RDM6020B2					12.0~27.6	0.10	3,500	18.5	3.3	29	•	•			
RDL6020B2					12.0~27.6	0.08	3,000	15.7	2.4	26	•	•			



60 x 60 x 25 mm

Dimensions Drawing



Main Application : Electric bed

主要應用：電動病床



Energy Saving

Waterproof and Dustproof

Low Noise

General Specification

Frame and Impeller : Thermal Plastic , UL 94V-0

Lead Wires : UL Type

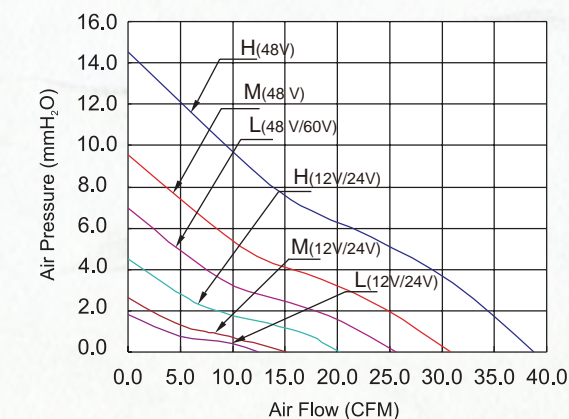
(+) : Red (-) : Black

Operation Temperature : -10°C~70°C  
35%~85%RH

Storage Temperature : -40°C~80°C  
35%~85%RH

UL (12V 24V 48V)  
UL (60V)

Performance Curves

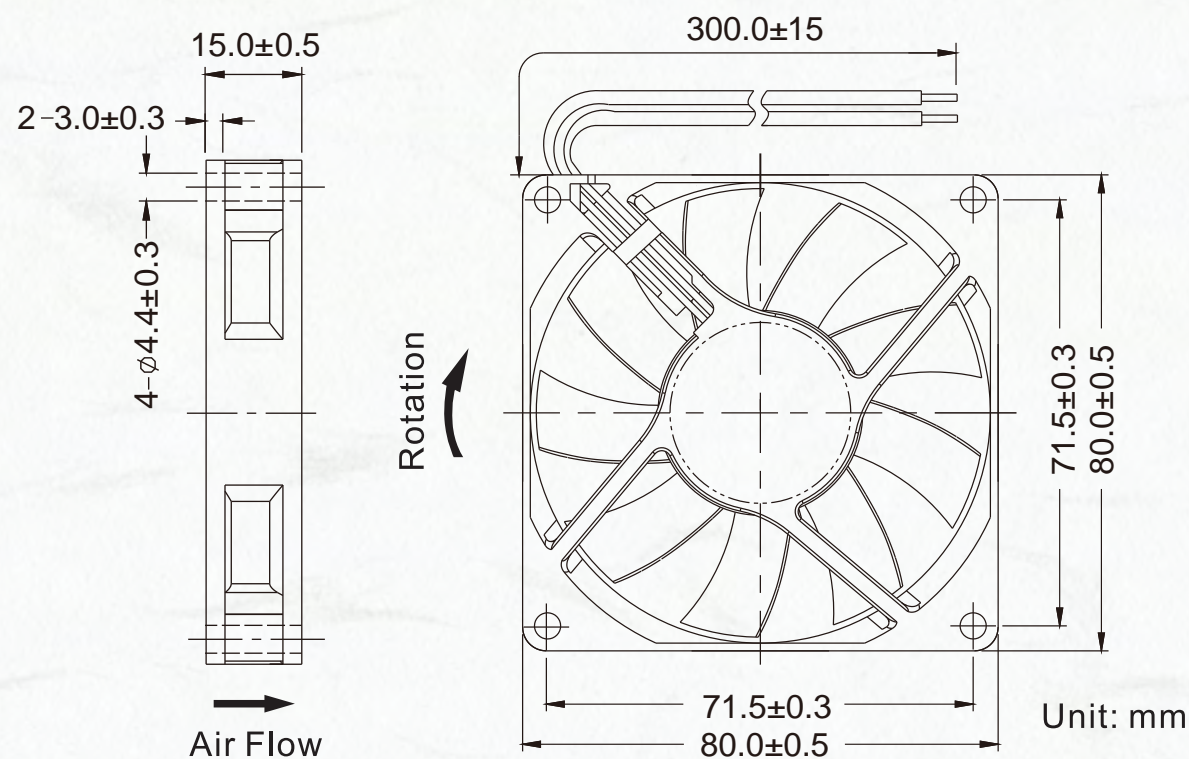


Listed Model	Bearing System	Rated Voltage	Operation Voltage	Rated Current	Rated Speed	Air Flow	Air Pressure	Noise Level	Available Features (Optional)				Weight	
		VDC	VDC	A	RPM	CFM	mmH <sub>2</sub> O	dBA	Tachometer Output	Rotation Detector	Thermal Control	Pulse Width Modulation	g	
RDH6025S	Sleeve	12	6.0~13.8	0.14	4,000	20.3	4.5	29	•	•	•	•	62	
RDM6025S			6.0~13.8	0.10	3,000	15.1	2.6	24	•	•	•	•		
RDL6025S			6.0~13.8	0.07	2,500	12.5	1.8	22	•	•	•	•		
RDH6025B			Ball	6.0~13.8	0.14	4,000	20.3	4.5	29	•	•	•		•
RDM6025B				6.0~13.8	0.10	3,000	15.1	2.6	24	•	•	•		•
RDL6025B				6.0~13.8	0.07	2,500	12.5	1.8	22	•	•	•		•
RDH6025S2	Sleeve	24	12.0~27.6	0.14	4,000	20.3	4.5	29	•	•	•	•	62	
RDM6025S2			12.0~27.6	0.10	3,000	15.1	2.6	24	•	•	•	•		
RDL6025S2			12.0~27.6	0.09	2,500	12.5	1.8	22	•	•	•	•		
RDH6025B2			Ball	12.0~27.6	0.14	4,000	20.3	4.5	29	•	•	•		•
RDM6025B2				12.0~27.6	0.10	3,000	15.1	2.6	24	•	•	•		•
RDL6025B2				12.0~27.6	0.09	2,500	12.5	1.8	22	•	•	•		•
RDH6025S4	Sleeve	48	24.0~55.2	0.18	7,500	38.8	14.5	47	•	•	•	•	62	
RDM6025S4			24.0~55.2	0.12	6,000	30.9	9.6	40	•	•	•	•		
RDL6025S4			24.0~55.2	0.10	5,000	25.6	7.0	37	•	•	•	•		
RDH6025B4			Ball	24.0~55.2	0.18	7,500	38.8	14.5	47	•	•	•		•
RDM6025B4				24.0~55.2	0.12	6,000	30.9	9.6	40	•	•	•		•
RDL6025B4				24.0~55.2	0.10	5,000	25.6	7.0	37	•	•	•		•
RDL6025B6	Ball	60	36.0~72.0	0.20	5,000	25.6	7.0	37	•	•	•	•		



80 x 80 x 15 mm

Dimensions Drawing



Main Application : CT Scanner/Blood Analyzer

主要應用：CT斷層掃描/血液分析儀



Energy Saving



Waterproof and Dustproof

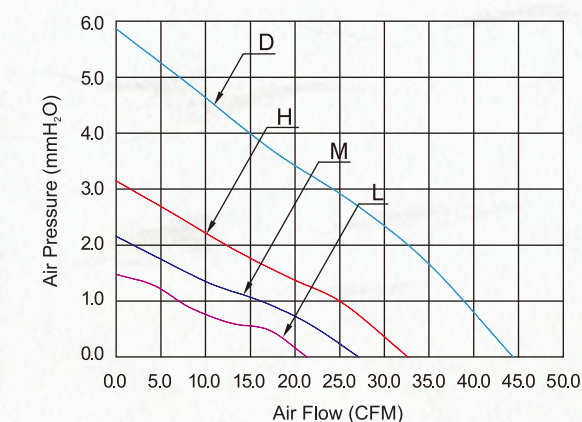


Low Noise

General Specification

- Frame and Impeller : Thermal Plastic , UL 94V-0
- Lead Wires : UL Type  
(+) : Red (-) : Black
- Operation Temperature : -10°C~70°C  
35%~85%RH
- Storage Temperature : -40°C~80°C  
35%~85%RH
- UL US CE (12V)  
VDE (24V)

Performance Curves

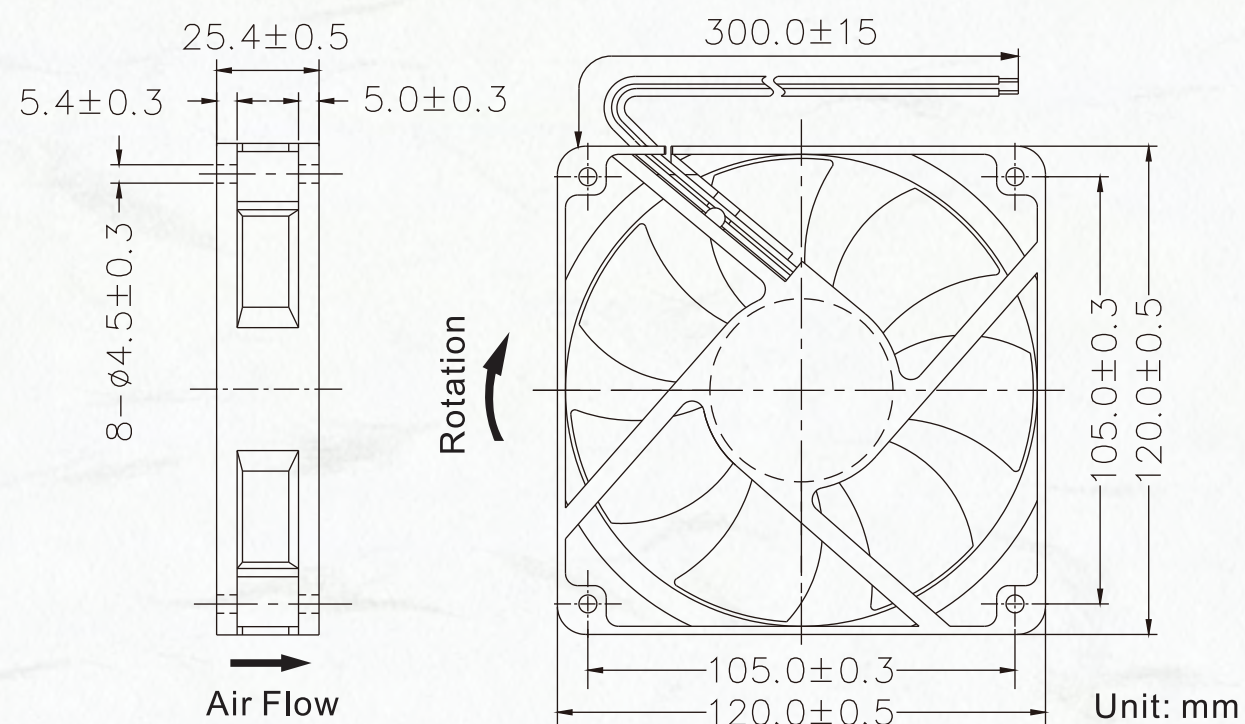


Listed Model	Bearing System	Rated Voltage	Operation Voltage	Rated Current	Rated Speed	Air Flow	Air Pressure	Noise Level	Available Features (Optional)				Weight	
		VDC	VDC	A	RPM	CFM	mmH <sub>2</sub> O	dBA	Tachometer Output	Rotation Detector	Thermal Control	Pulse Width Modulation	g	
RDD8015S1	Sleeve	12	6.0~13.8	0.27	4,100	44.4	5.8	44	•	•		•	54	
RDH8015S1			6.0~13.8	0.17	3,000	32.7	3.2	35	•	•		•		
RDM8015S1			6.0~13.8	0.14	2,500	27.2	2.2	30	•	•		•		
RDL8015S1			6.0~13.8	0.09	2,000	21.4	1.5	25	•	•		•		
RDD8015B1	Ball		6.0~13.8	0.27	4,100	44.4	5.8	44	•	•		•		
RDH8015B1			6.0~13.8	0.17	3,000	32.7	3.2	35	•	•		•		
RDM8015B1			6.0~13.8	0.14	2,500	27.2	2.2	30	•	•		•		
RDL8015B1			6.0~13.8	0.09	2,000	21.4	1.5	25	•	•		•		
RDH8015S2	Sleeve		24	12.0~27.6	0.15	3,000	32.7	3.2	35	•	•			•
RDM8015S2				12.0~27.6	0.13	2,500	27.2	2.2	30	•	•			•
RDL8015S2				12.0~27.6	0.10	2,000	21.4	1.5	25	•	•			•
RDH8015B2				12.0~27.6	0.15	3,000	32.7	3.2	35	•	•			•
RDM8015B2	Ball	12.0~27.6		0.13	2,500	27.2	2.2	30	•	•		•		
RDL8015B2		12.0~27.6		0.10	2,000	21.4	1.5	25	•	•		•		



120 x 120 x 25 mm

### Dimensions Drawing



Main Application : Ultrasound

主要應用：超音波



Energy Saving



Waterproof and Dustproof



Low Noise

### General Specification

Frame and Impeller : Thermal Plastic , UL 94V-0

Lead Wires : UL Type

(+ ) : Red (- ) : Black

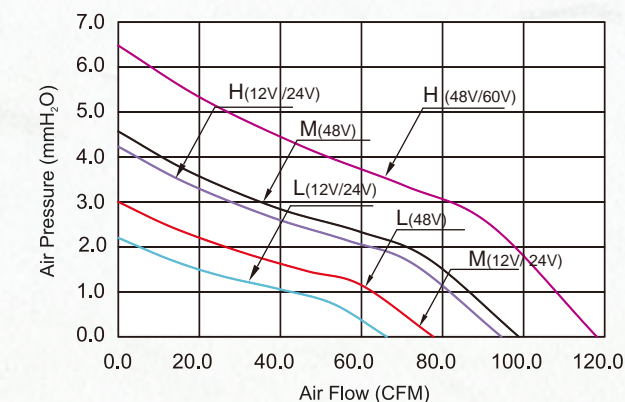
Operation Temperature : -10°C~70°C  
35%~85%RH

Storage Temperature : -40°C~80°C  
35%~85%RH

UL US CE (12V 24V 48V)

UL US CE (60V)

### Performance Curves

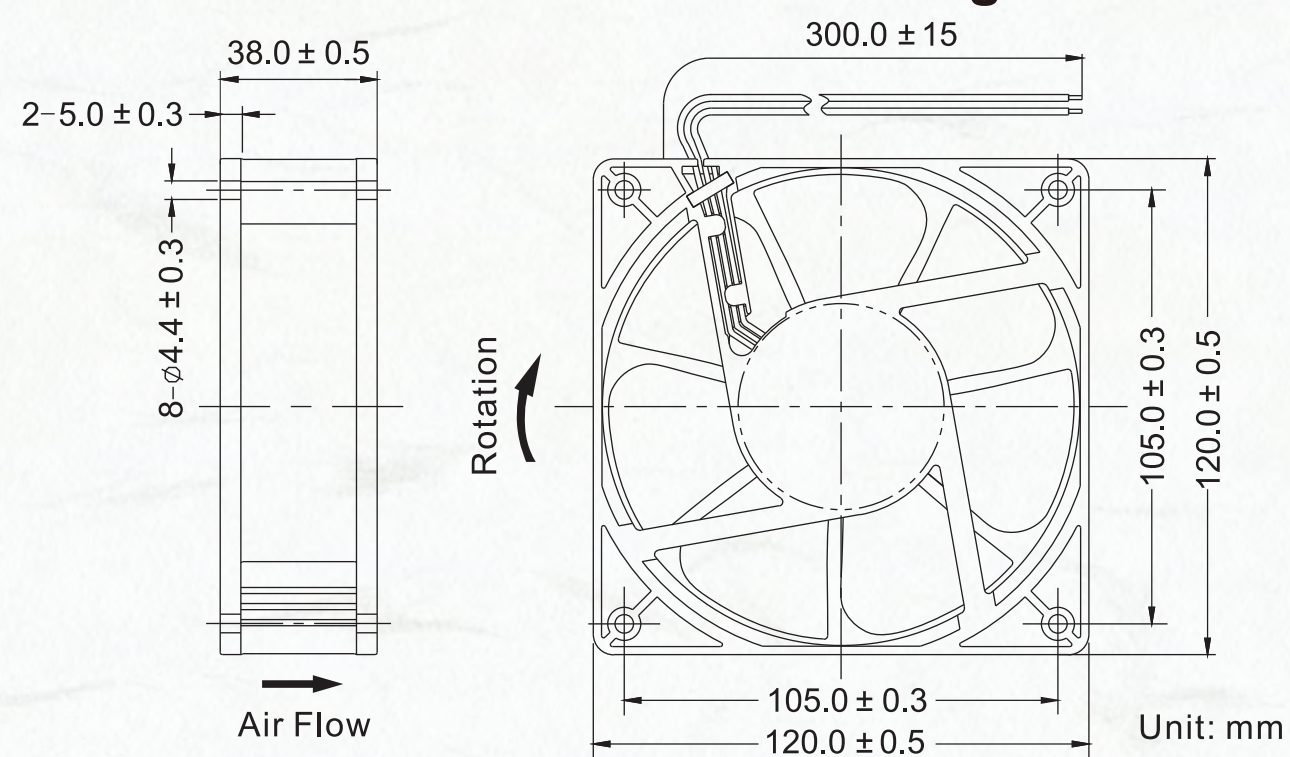


Listed Model	Bearing System	Rated Voltage	Operation Voltage	Rated Current	Rated Speed	Air Flow	Air Pressure	Noise Level	Available Features (Optional)				Weight		
		VDC	VDC	A	RPM	CFM	mmH <sub>2</sub> O	dBA	Tachometer Output	Rotation Detector	Thermal Control	Pulse Width Modulation	g		
RDH1225S	Sleeve	12	6.0~13.8	0.40	2,400	94.5	4.2	41	•	•	•	•	164		
RDM1225S			6.0~13.8	0.23	2,000	77.7	3.0	36	•	•	•	•			
RDL1225S			6.0~13.8	0.18	1,700	66.2	2.2	31	•	•	•	•			
RDH1225B	Ball		6.0~13.8	0.40	2,400	94.5	4.2	41	•	•	•	•			
RDM1225B			6.0~13.8	0.23	2,000	77.7	3.0	36	•	•	•	•			
RDL1225B			6.0~13.8	0.18	1,700	66.2	2.2	31	•	•	•	•			
RDH1225S2	Sleeve	24	12.0~27.6	0.35	2,400	94.5	4.2	41	•	•			164		
RDM1225S2			12.0~27.6	0.20	2,000	77.7	3.0	36	•	•					
RDL1225S2			12.0~27.6	0.13	1,700	66.2	2.2	31	•	•					
RDH1225B2	Ball		12.0~27.6	0.35	2,400	94.5	4.2	41	•	•					
RDM1225B2			12.0~27.6	0.20	2,000	77.7	3.0	36	•	•					
RDL1225B2			12.0~27.6	0.13	1,700	66.2	2.2	31	•	•					
RDH1225B4	Ball	48	24.0~55.2	0.30	3,000	118.0	6.5	48	•	•	•	•	164		
RDM1225B4			24.0~55.2	0.24	2,500	98.8	4.6	43	•	•	•	•			
RDL1225B4			24.0~55.2	0.15	2,000	77.7	3.0	36	•	•	•	•			
RDH1225B6	Ball		60	36.0~72.0	0.30	3,000	118.0	6.5	48	•	•	•		•	



120 x 120 x 38 mm

**Dimensions Drawing**



Main Application : Ventilator

主要應用：呼吸機



Energy Saving



Waterproof and Dustproof



Low Noise

**General Specification**

Frame and Impeller : Thermal Plastic , UL 94V-0

Lead Wires : UL Type

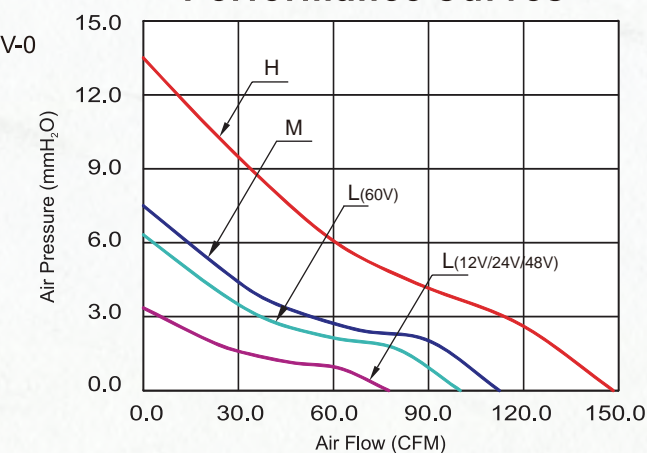
(+) : Red (-) : Black

Operation Temperature : -10°C~70°C  
35%~85%RH

Storage Temperature : -40°C~80°C  
35%~85%RH

UL US CE (12V 24V 48V)  
UL US CE (60V)

**Performance Curves**



Listed Model	Bearing System	Rated Voltage	Operation Voltage	Rated Current	Rated Speed	Air Flow	Air Pressure	Noise Level	Available Features (Optional)				Weight		
		VDC	VDC	A	RPM	CFM	mmH <sub>2</sub> O	dBA	Tachometer Output	Rotation Detector	Thermal Control	Pulse Width Modulation	g		
RDH1238S1	Sleeve	12	6.0~13.8	1.30	3,800	148.3	13.5	52	•	•	•	•	290		
RDM1238S1			6.0~13.8	0.58	2,900	112.4	7.5	44	•	•	•	•			
RDL1238S1			6.0~13.8	0.28	2,000	77.4	3.3	35	•	•	•	•			
RDH1238B1			Ball	6.0~13.8	1.30	3,800	148.3	13.5	52	•	•	•		•	
RDM1238B1				6.0~13.8	0.58	2,900	112.4	7.5	44	•	•	•		•	
RDL1238B1				6.0~13.8	0.28	2,000	77.4	3.3	35	•	•	•		•	
RDH1238S2	Sleeve		24	12.0~27.6	0.60	3,800	148.3	13.5	52	•	•	•		•	
RDM1238S2				12.0~27.6	0.40	2,900	112.4	7.5	44	•	•	•		•	
RDL1238S2				12.0~27.6	0.30	2,000	77.4	3.3	35	•	•	•		•	
RDH1238B2				Ball	12.0~27.6	0.60	3,800	148.3	13.5	52	•	•		•	•
RDM1238B2					12.0~27.6	0.40	2,900	112.4	7.5	44	•	•		•	•
RDL1238B2					12.0~27.6	0.30	2,000	77.4	3.3	35	•	•		•	•
RDH1238S4	Sleeve	48		24.0~55.2	0.35	3,800	148.3	13.5	52	•	•	•	•		
RDM1238S4				24.0~55.2	0.30	2,900	112.4	7.5	44	•	•	•	•		
RDL1238S4				24.0~55.2	0.20	2,000	77.4	3.3	35	•	•	•	•		
RDH1238B4				Ball	24.0~55.2	0.35	3,800	148.3	13.5	52	•	•	•	•	
RDM1238B4					24.0~55.2	0.30	2,900	112.4	7.5	44	•	•	•	•	
RDL1238B4					24.0~55.2	0.20	2,000	77.4	3.3	35	•	•	•	•	
RDL1238B6	Ball		60	36.0~72.0	0.30	2,600	100.0	6.3	41	•	•	•	•		



# Company Location

## 服務據點



Head Office



Sales Office



Factory

